



2920-012 DISC SEALER 12" SMOOTH
2920-015 DISC SEALER 13" RESIDUE WHEEL
2920-016 DISC SEALER 16" SMOOTH
2920-016-N DISC SEALER NOTCHED
2920-016-ST DISC SEALER SHARK TOOTH
2920-021 DISC SEALER FOR 2995/2996 16" SMOOTH

OPERATOR'S MANUAL
PARTS IDENTIFICATION

2565-412_REV_F • 11/2016

YETTER MANUFACTURING CO.
FOUNDED 1930

Colchester, IL 62326-0358
Toll free: 800/447-5777
309/776-3222 (Fax)
Website: www.yetterco.com
E-mail: info@yetterco.com

YETTER

FOREWORD

You've just joined an exclusive but rapidly growing club.

For our part, we want to welcome you to the group and thank you for buying a Yetter product.

We hope your new Yetter products will help you achieve both goals-increase your productivity and increase your efficiency so that you may generate more profit.

This operator's manual has been designed into four major sections: Foreword, Safety Precautions, Installation Instructions and Parts Breakdown.



This **SAFETY ALERT SYMBOL** indicates important safety messages in the manual. When you see this symbol, be alert to the possibility of **PERSONAL INJURY** and carefully read the message that follows.

The word **NOTE** is used to convey information that is out of context with the manual text. It contains special information such as specifications, techniques and reference information of a supplementary nature.

The word **IMPORTANT** is used in the text when immediate damage will occur to the machine due

to improper technique or operation. Important will apply to the same information as specified by note only of an immediate and urgent nature.

It is the responsibility of the user to read the operator's manual and comply with the safe and correct operating procedure and to lubricate and maintain the product according to the maintenance schedule in the operator's manual.

The user is responsible for inspecting his machine and for having parts repaired or replaced when continued use of the product would cause damage or excessive wear to the other parts.

It is the user's responsibility to deliver his machine to the Yetter dealer who sold him the product for service or replacement of defective parts, which are covered by the warranty policy.

If you are unable to understand or follow the instructions provided in this publication, consult your local Yetter dealer or contact:

YETTER MANUFACTURING CO.

309/776-4111

800/447-5777

309/776-3222 (FAX)

Website: www.yetterco.com

E-mail: info@yetterco.com

WARRANTY

Yetter Manufacturing warrants all products manufactured and sold by it against defects in material. This warranty being expressly limited to replacement at the factory of such parts or products as shall appear to be defective after inspection. This warranty does not obligate the Company to bear cost of labor in replacement of parts. It is the policy of the Company to make improvements without incurring obligations to add them to any unit already sold. No warranty is made or authorized to be made, other than herein set forth. This warranty is in effect for one year after purchase.

DEALER: _____

Yetter Manufacturing warrants its own products only and cannot be responsible for damages to equipment on which mounted.

SAFETY PRECAUTIONS

You can make your farm a safer place to live and work if you observe the safety precautions given. Study these precautions carefully and insist those working with you and for you follow the precautions.

Finally, remember this an accident is usually caused by someone's carelessness, neglect or oversight.

A brief description of signal words that may be used in this manual:

CAUTION: Used as a general reminder of good safety practices or to direct attention to unsafe practices.

WARNING: Denotes a specific potential hazard.

DANGER: Denotes the most serious specific potential hazard.



CAUTION

Consult your implement and tractor operator's manual for correct and safe operating practices. Be aware of towed implement width and allow safe clearance.



CAUTION: SAFETY SIGNS

Safety decals are placed on the implement to alert the operator and others to the risk of personal injury or unsafe operation during normal operations and servicing.

1. The safety decals must be kept clean and in good condition to ensure that they are legible.
2. Safety decals must be replaced if they are missing or illegible.
3. When components are replaced during repair or servicing, check that the new components include the necessary safety signs.
4. Replacement safety decals may be obtained from your local dealer.



WARNING

Read these instructions carefully to acquaint yourself with the attachments. Working with unfamiliar equipment can lead to accidents.

Never clean, lubricate or adjust a machine that is in motion.

If machine must be serviced in the raised position, jack or block it up to prevent it from accidentally falling and injuring someone.

Do not allow children to operate this equipment.

Use speeds and caution dictated by the terrain being traversed. Do not operate on any slope steep enough to cause tipping or loss of control.

Be sure all personnel are clear of the immediate area before operating.

Read and understand the operator's manual and require all other persons who will operate the equipment to do the same.

If operating on public roadways, where legal, be certain all lighting is operating properly and observe all traffic laws.

Attach a slow moving vehicle emblem to the rear of the trailing implement.

Beware of increased stopping distances and control effort when operating with implements attached.

Be familiar with all controls and be prepared to stop engine and equipment quickly in an emergency.

FAILURE TO HEED MAY RESULT IN PERSONAL INJURY OR DEATH.

BOLT TORQUE

Mounting bolts and hardware

Before operating the Disc Sealer for the first time, check to be sure that all hardware is tight. Check all hardware again after approximately 50 hours of operation and at the beginning of each season.

All hardware used on the Disc Sealer is Grade 5 unless otherwise noted. Grade 5 cap screws are marked with three radial lines on the head. If hardware must be replaced, be sure to replace it with hardware of equal size, strength and thread type. Refer to the torque values chart when tightening hardware.


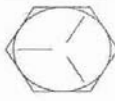

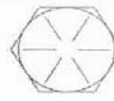


Important: Over tightening hardware can cause as much damage as when under tightening. Tightening hardware beyond the recommended range can reduce its shock load capacity.

The chart below is a guide for proper torque. Use it unless a specified torque is called out elsewhere in the manual.

Torque is the force you apply to the wrench handle or the cheater bar, times the length of the handle or bar. Use a torque wrench whenever possible.

The following table shows torque in ft. lbs. for coarse thread hardware.

| BOLT DIA. AND THREADS PER INCH |  GRADE 2 |  OR  GRADE 5 A-325 |  GRADE 8 |
|---|--|--|--|
| 1/4 | 6 | 10 | 14 |
| 5/16 | 12 | 20 | 30 |
| 3/8 - 16 | 25 | 35 | 50 |
| 7/16 - 14 | 35 | 55 | 80 |
| 1/2 - 13 | 55 | 85 | 125 |
| 9/16 - 12 | 75 | 125 | 175 |
| 5/8 - 11 | 105 | 170 | 235 |
| 3/4 - 10 | 185 | 305 | 425 |
| 7/8 - 9 | 170 | 445 | 690 |
| 1-8 | 260 | 670 | 1030 |
| 1 1/8 - 7 | 365 | 900 | 1460 |
| 1 1/4 - 7 | 515 | 1275 | 2060 |
| 1 3/8 - 6 | 675 | 1675 | 2700 |
| 1 1/2 - 6 | 900 | 2150 | 3500 |
| 1 3/4 - 5 | 1410 | 3500 | 5600 |

Lubricate all bearings and moving parts as assembled and make certain that they work freely.



WARNING: Never work around the toolbar/implement while in a raised position without using safety lockups.

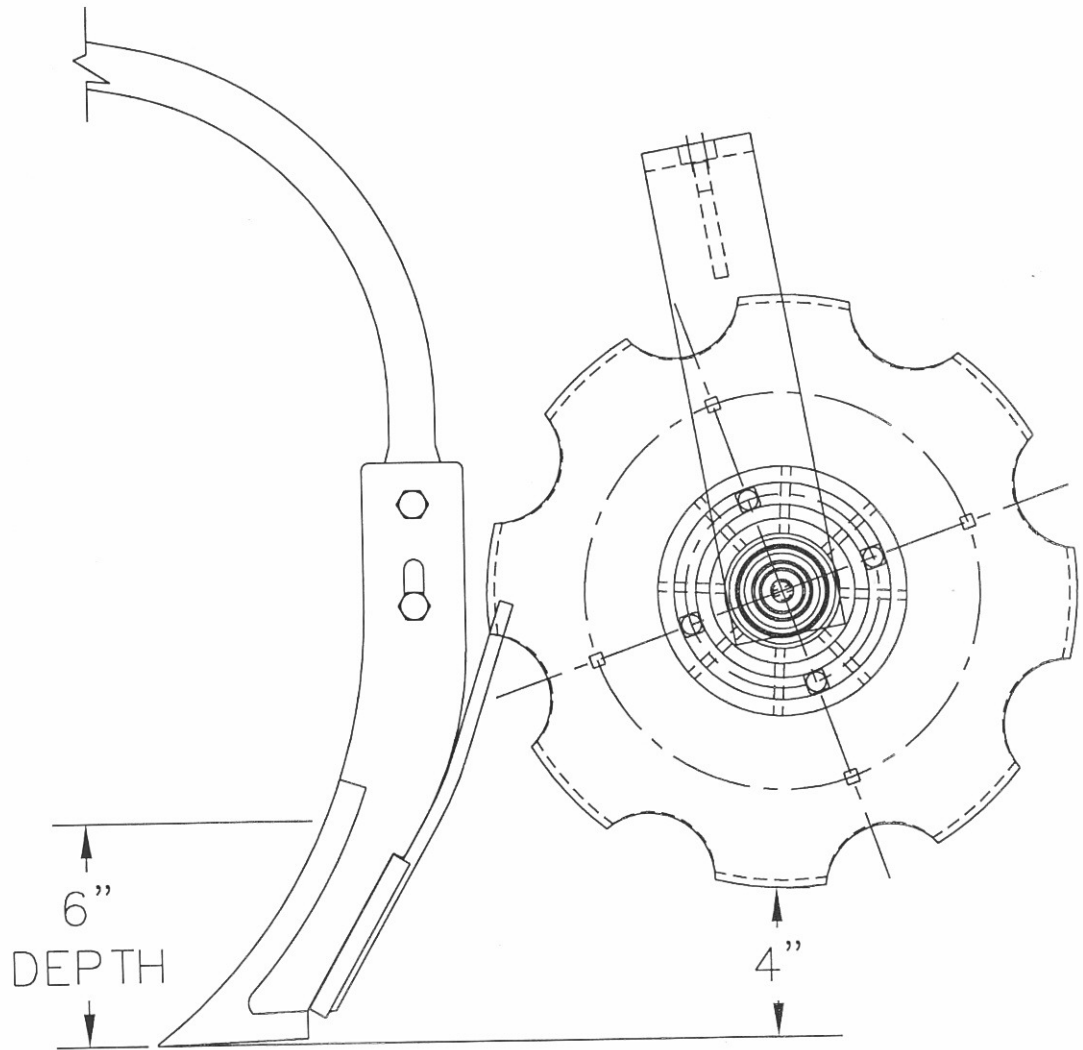


CAUTION: The Disc Sealer attachments are very heavy. Pay extra attention to lifting techniques while handling and or maneuvering the opener during assembly. Failure to do so may lead to personal injury.

ASSEMBLY

“Barn Yard Setting” – set the sealer blade to 2” closer to the bottom of the knife than the depth that the knife will be used at. Example: knife at 6” depth, set the blades to 4” above the bottom of the knife. Adjust the blade pitch as needed to cover the knife track with soil. Tighten all hardware to the recommended amount of torque unless otherwise stated.

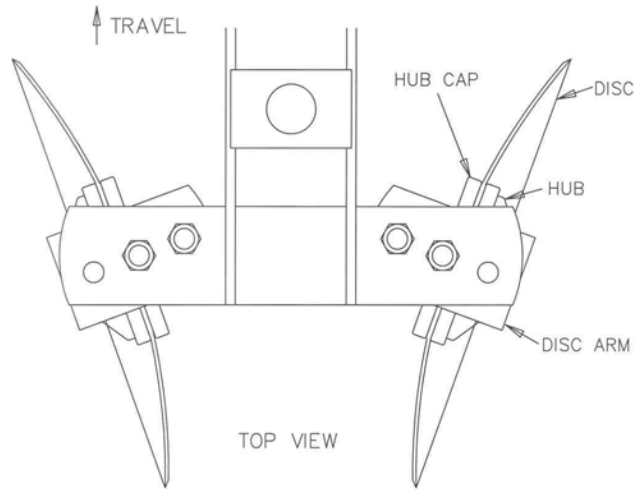
726-5



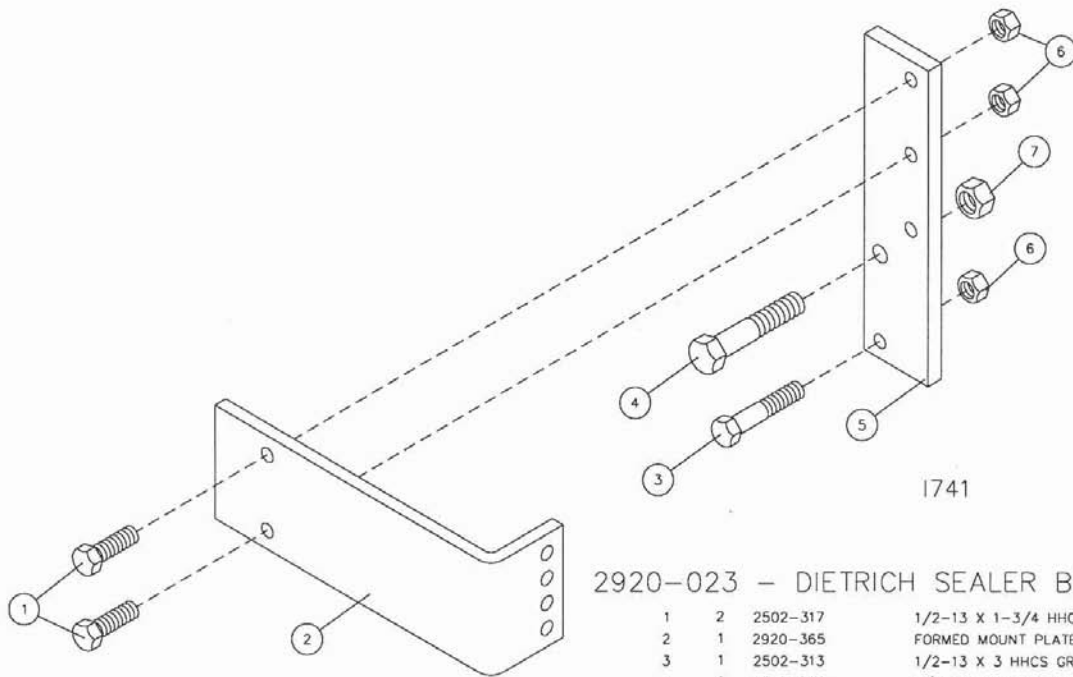
EXAMPLE

ASSEMBLY

1. When assembling blade, bearing assembly and hubcap, be sure to align the grease fitting, hole in the blade and slot in hub cap to assure proper greasing of blade assembly.



S196-1



2920-023 - DIETRICH SEALER BRACKET KIT

| | | | |
|---|---|----------|------------------------------|
| 1 | 2 | 2502-317 | 1/2-13 X 1-3/4 HHCS GR. 5 ZP |
| 2 | 1 | 2920-365 | FORMED MOUNT PLATE |
| 3 | 1 | 2502-313 | 1/2-13 X 3 HHCS GR. 5 ZP |
| 4 | 1 | 2502-325 | 5/8-11 X 3 HHCS GR 5 ZP |
| 5 | 1 | 2920-364 | MOUNT PLATE |
| 6 | 3 | 2520-357 | 1/2-13 LOCK HEX NUT ZP |
| 7 | 1 | 2520-459 | 5/8-11 LOCK HEX NUT ZP |

MAINTENANCE

BEARING ASSEMBLY AND LUBRICATION

Practice Safety

Understand and practice safe service procedures before doing work. Follow ALL the operating, maintenance and safety information in the equipment operator manual. Clear the area of bystanders, especially small children, when performing any maintenance or adjustments. Keep work area clean and dry. Use adequate lighting for the job. Use only tools, jacks and hoists of sufficient capacity for the job.

Never lubricate, service, or adjust machine while it is moving. Keep hands, feet, and clothing from power-driven moving and rotating parts. Disengage all power and operate controls to relieve pressure. Lower equipment to the ground and stop the engine. Remove the key. Wait for all moving parts to stop before servicing, adjusting, repairing or unplugging.

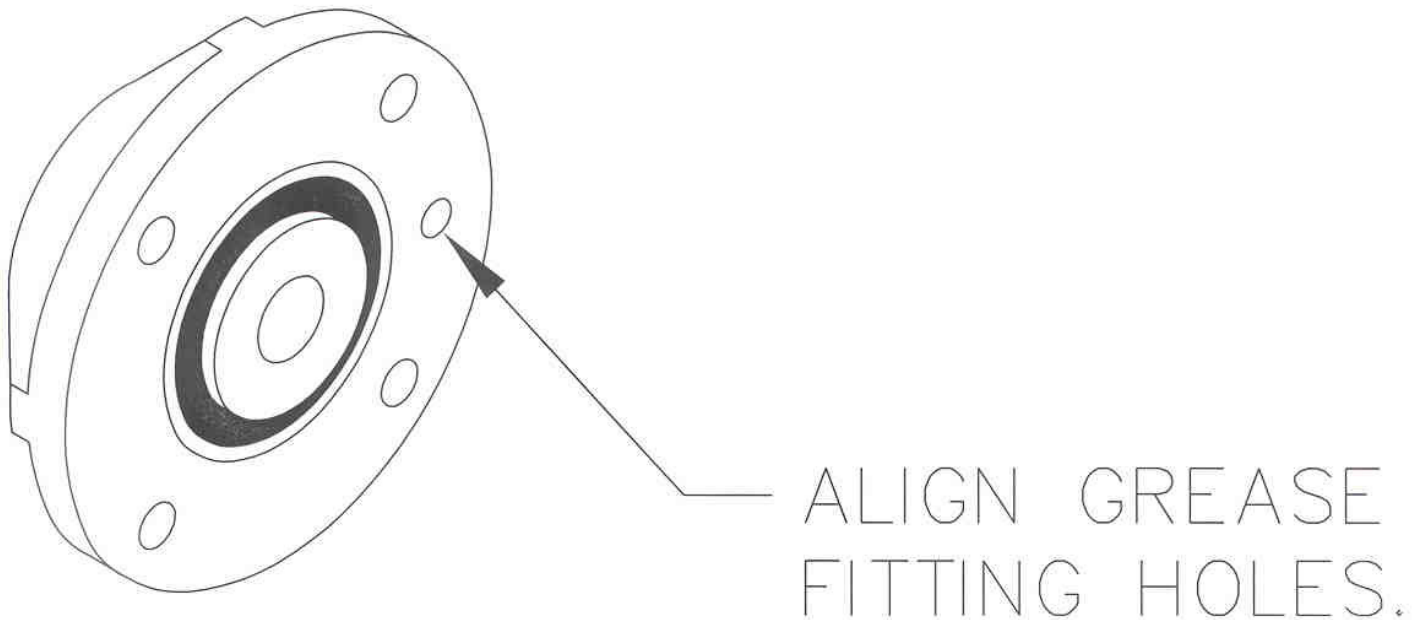
Securely support any machine elements with blocks or safety stands that must be raised for service work.

Keep all parts in good condition and properly installed. Fix damaged equipment immediately.

Replace worn or broken parts. Remove any buildup of grease, oil, or debris.

Make sure all guards are in place and properly secured when maintenance work is completed.

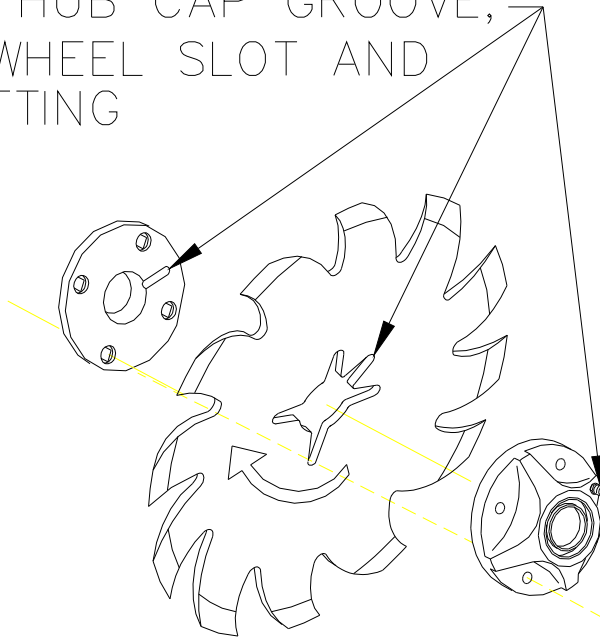
Assembly



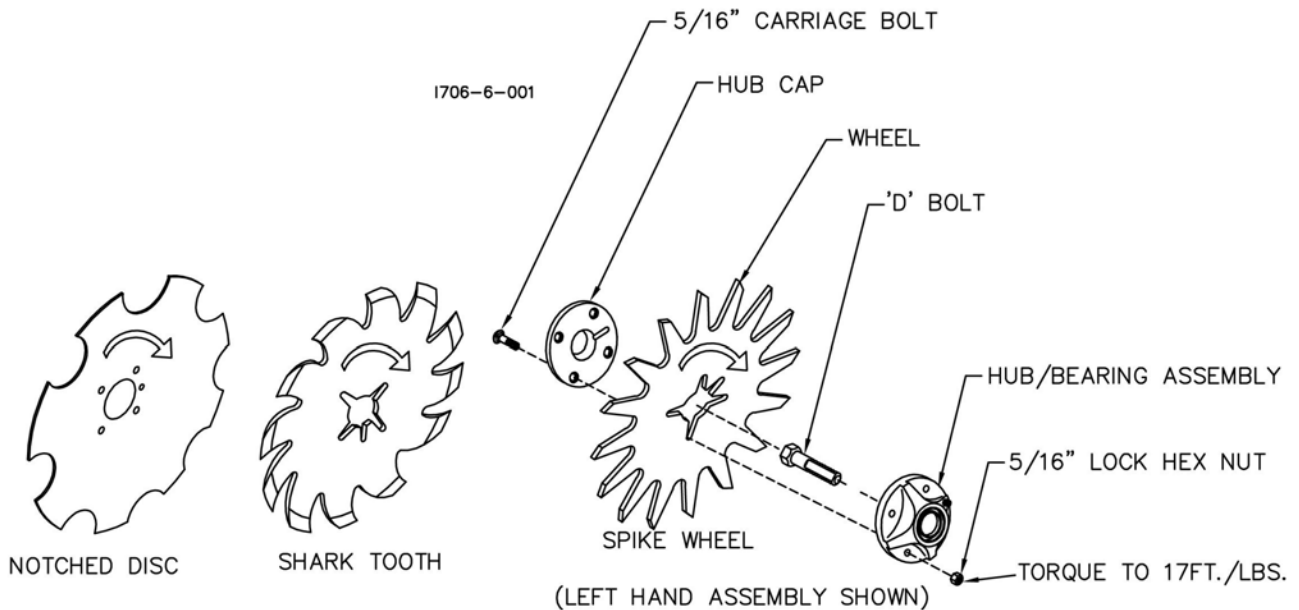
I190-1

MAINTENANCE

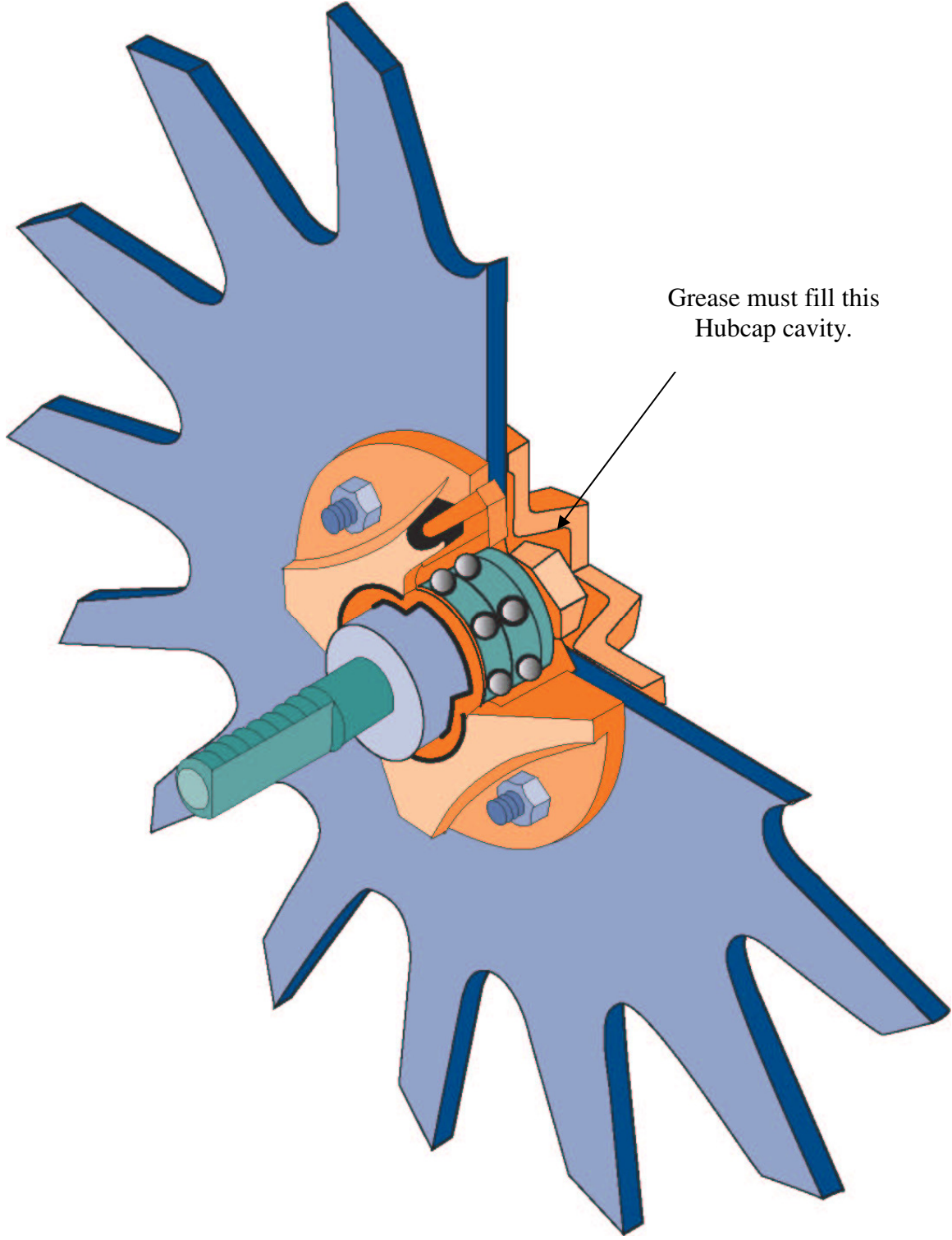
ALIGN THE HUB CAP GROOVE,
WITH THE WHEEL SLOT AND
GREASE FITTING



NOTE: Be certain to align the grease fitting with the slot in the wheel and the hubcap so that the grease can flow freely.



MAINTENANCE



Grease must fill this
Hubcap cavity.

MAINTENANCE

Lubrication



CAUTION: To help prevent serious injury or death to you or others caused by unexpected movement, service machine on a level surface. Lower machine to ground or sufficiently lock or block raised machine before servicing. If machine is connected to tractor, engage parking brake and place transmission in "PARK", shut off engine and remove key. If machine is detached from tractor, block wheels and use shop stands to prevent movement.



CAUTION: Do not clean, lubricate, or adjust machine while in motion.

Use grease based on NLGI consistency numbers and the expected air temperature range during the service interval.

Use a **multi-purpose polyurea, water resistant, moderate speed, and NLGI grade #2** grease. Other greases may be used if they meet the following **NLGI Performance**

IMPORTANT: Some types of grease thickener are not compatible with others. Consult your grease supplier before mixing different types of grease.

Alternative Lubricants

Conditions in certain geographical areas may require special lubricants and lubrication practices which do not appear in the operator's manual. If there are any questions, consult Yetter Manufacturing Co. to obtain latest information and recommendation.

| PART # | DESCRIPTION | OUNCES OF GREASE |
|----------|---------------------------------------|------------------|
| 2967-404 | 13" TAPER TOOTH R.M. WHEEL | 1.12 OZ |
| 2967-602 | 13" SHARK TOOTH R.M. WHEEL | 1.12 OZ |
| 2967-186 | FLOATER WHEEL KIT W/R.M. WHEEL | 2.08 OZ |
| | BEVEL R.M. WHEEL W/ FLOATER WHEEL KIT | 2.40 OZ |

Storing Lubricants

Your machine can operate at top efficiency only if clean lubricants are used.

Use clean containers to handle all lubricants.

Store them in an area protected from dust, moisture and other contaminants.

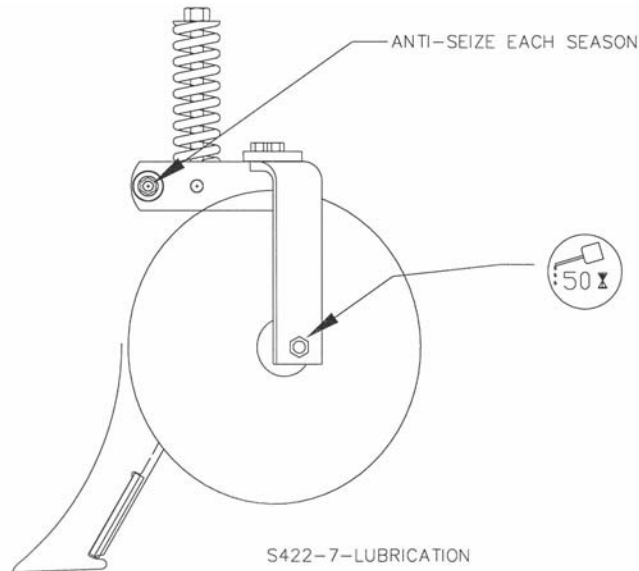
MAINTENANCE

Lubrication Symbols



Lubricate with grease at hourly interval indicated on symbol.

Lubrication Intervals



IMPORTANT: The recommended service intervals are based on normal conditions; severe or unusual conditions may require more frequent lubrication.

Perform each lubrication and service procedure at the beginning and end of each season.

Clean grease fittings before using grease gun, to avoid injecting dirt and grit into the bearing. Replace any lost or broken fittings immediately. If a fitting fails to take grease, remove and clean thoroughly, replace fitting if necessary. Also check for failure of adjoining parts.

BEARING REPLACEMENT INSTALLATION

1. When assembling the spoke wheels, bearing assembly and hubcap, be sure to align the grease transfer hole in the spoke wheel with the groove in the hubcap and hole in the hub to allow grease passage.
2. Assemble the wheels, hubs and caps.
3. Grease the wheel/hub/bearing assembly.

MAINTENANCE

Storing the Equipment

Store the machine in an area away from human activity

Store machine in RAISED position.

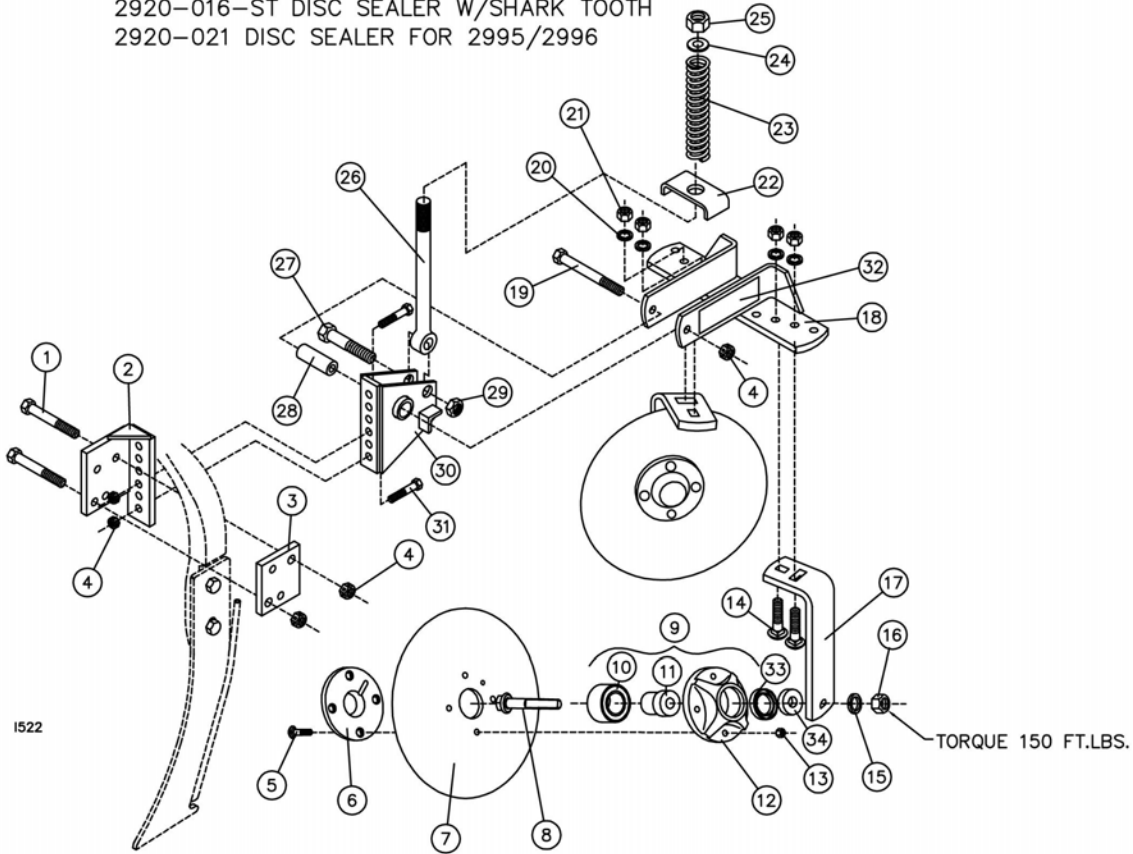
Install service locks on all wheel cylinders.

At the end of the season, the machine should be thoroughly inspected and prepared for storage. Repair or replace any worn or damaged components to prevent down time at the start of the next season. Store machine under cover with all parts in operating condition.

- Clean machine thoroughly to remove all dirt, debris and crop residue, which would hold moisture and cause rusting.
- Inspect machine for worn or broken parts. See your Yetter Farm Equipment dealer during the off-season so that parts or service can be acquired when machine is not needed in the field.
- Lubricate bearings as outlined in the Lubrication section
- Paint all parts which are chipped or worn and require repainting.
- Store machine in a clean, dry place with the planting unit out of the sun.
- If the machine cannot be stored inside, cover with a waterproof tarpaulin and tie securely in place.
- Do not allow children to play on or around the machine

PARTS IDENTIFICATION

- 2920-012 DISC SEALER
- 2920-015 DISC SEALER
- 2920-016 DISC SEALER
- 2920-016-N DISC SEALER W/NOTCHED BLADE
- 2920-016-ST DISC SEALER W/SHARK TOOTH
- 2920-021 DISC SEALER FOR 2995/2996



I522

TORQUE 150 FT.LBS.

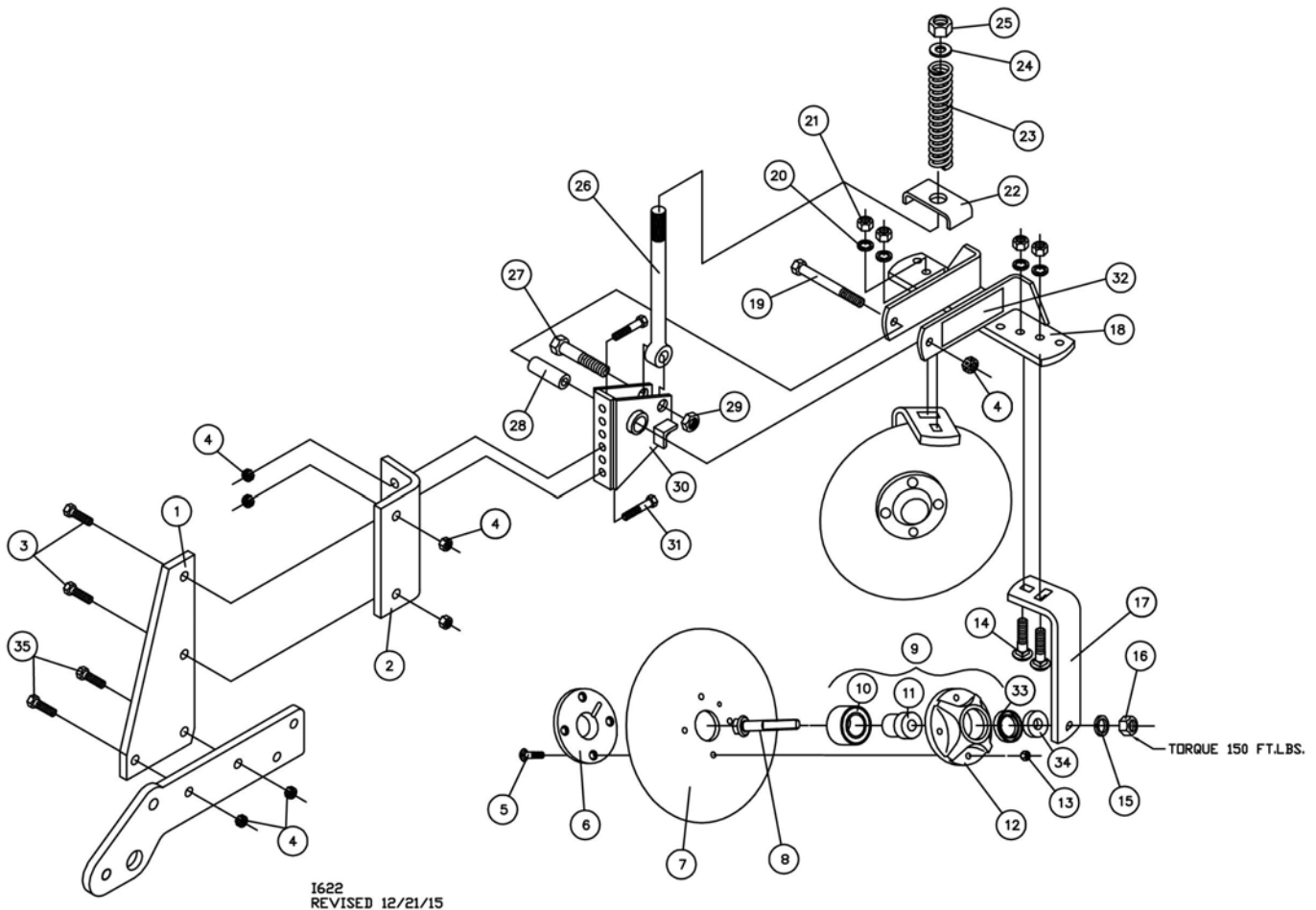
| DET | QTY | PART NO. | DESCRIPTION |
|-----|-----|---------------|--------------------------------------|
| 1 | 2 | 2502-313 | 1/2-13 X 3 HHCS GR. 5 ZP. |
| | 2 | 2502-364 | 1/2-13 X 4 HHCS GR. 5 ZP |
| 2 | 1 | 2920-211 | SHANK MTG. BRACKET W.A. |
| 3 | 1 | 2920-339 | SHANK MTG. CLAMP PLATE |
| 4 | 5 | 2520-357 | 1/2-13 HEX LOCK NUT ZP. |
| 5 | 8 | 2505-207 | 5/16-18 X 1 1/4 CAR. BLT. GR. 5 ZP. |
| 6 | 2 | 2965-352-DISC | HUB CAP CASTING, 4 BOLT, BLACK |
| 7 | 2 | 2571-173 | .138 X 16" DISC, 4 BOLT |
| | 2 | 2571-181 | .098 X 12" DISC, 4 BOLT |
| | 2 | 2967-404 | 13" TAPER TOOTH SPOKE WHEEL |
| | 2 | 2571-187 | 16" NOTCHED SEALER BLADE |
| | 2 | 2967-602 | 13" SHARK TOOTH WHEEL |
| 8 | 2 | 2570-742 | D-BOLT, FLANGE 5/8-11 X 4" GR. 8 ZP. |
| 9 | 2 | 2965-128 | HUB AND BEARING ASS'Y., 4 BOLT |
| 10 | 2 | 2570-594 | BEARING, 2 ROW NTN# DF0654LU |
| 11 | 2 | 2570-715 | BEARING INSERT, TRASHMASTER |
| 12 | 2 | 2965-351 | HUB CAST., MACHINED, 4 BOLT |
| 13 | 8 | 2520-206 | 5/16-18 FLANGE LOCK NUT |
| 14 | 4 | 2505-345 | 1/2-13 X 2 CAR. BLT. GR. 5 ZP. |
| 15 | 2 | 2525-451 | 5/8 MED LOCKWASHER |

| DET | QTY | PART NO. | DESCRIPTION |
|-----|-----|----------|---------------------------------|
| 16 | 2 | 2520-452 | 5/8-11 HEX NUT ZP. |
| 17 | 2 | 2920-329 | DISC SEALER ARM |
| 18 | 1 | 2920-209 | DISC SEALER BRACKET W.A. |
| 19 | 1 | 2502-363 | 1/2-13 X 4 1/2 HHCS GR. 5 ZP. |
| 20 | 4 | 2525-352 | 1/2 MED LOCKWASHER ZP. |
| 21 | 4 | 2520-352 | 1/2-13 HEX NUT ZP. |
| 22 | 1 | 2920-330 | DISC SEALER SPRING BRACKET |
| 23 | 1 | 2920-350 | COMP. SPRING, .393 W, 1 5/8" ID |
| 24 | 1 | 2975-302 | 2975 SPRING BUSHING |
| 25 | 1 | 2520-515 | 3/4-10 LOCK HEX NUT ZP. |
| 26 | 1 | 2920-324 | PUSHROD, 9-3/16" EYEBOLT, ZP. |
| 27 | 1 | 2502-393 | 5/8-11 X 2 1/2 HHCS GR. 5 ZP. |
| 28 | 1 | 2920-342 | INNER PIVOT BUSHING, ZP. |
| 29 | 1 | 2520-467 | 5/8-11 JAM HEX LOCK NUT ZP. |
| 30 | 1 | 2920-210 | MTG. BRACKET W.A. |
| 31 | 2 | 2502-317 | 1/2-13 X 1 3/4 HHCS GR. 5 ZP. |
| 32 | 2 | 2565-162 | YETTER DECAL, 1 1/2 X 4 1/2 |
| 33 | 2 | 2550-069 | SEAL, TRIPLE LIP, NTI# 1812-5 |
| 34 | 2 | 2967-302 | SPACER, 3/4", ZP |

REVISED 10/20/16

PARTS IDENTIFICATION

2920-021 16" DISC SEALER FOR 2995-2996



PARTS IDENTIFICATION

2920-021 16" DISC SEALER FOR 2995/2996

| KEY | QTY. | PART NO. | DESCRIPTION |
|-----|------|---------------|--------------------------------------|
| 1 | 1 | 2920-344 | DISC SEALER MOUNT |
| 2 | 1 | 2920-343 | 4° DISC SEALER BRACKET |
| 3 | 2 | 2502-294 | 1/2-13 X 1-1/2 HHCS GR. 5 ZP |
| 4 | 7 | 2520-357 | 1/2-13 LOCK HEX NUT ZP |
| 5 | 8 | 2505-207 | 5/16-18 X 1-1/4 CAR. BOLT GR. 5 ZP |
| 6 | 2 | 2965-352-DISC | HUB CAP CASTING, 4 BOLT, BLACK |
| 7 | 2 | 2571-173 | DISC, .138 GA. X 16", 4 BOLT |
| 8 | 2 | 2570-742 | D-BOLT, FLANGE, 5/8-11 X 4" GR. 8 ZP |
| 9 | 2 | 2965-128 | HUB AND BEARING ASSY., 4 BOLT |
| 10 | 2 | 2570-594 | BEARING, 2 ROW, NTN# DF0654LU |
| 11 | 2 | 2570-715 | BEARING INSERT, TRASHMASTER |
| 12 | 2 | 2965-351 | HUB CAST., MACHINED, 4 BOLT |
| 13 | 8 | 2520-206 | 5/16-18 FLANGE LOCK NUT |
| 14 | 4 | 2505-345 | 1/2-13 X 2 CAR. BOLT GR. 5 ZP |
| 15 | 2 | 2525-451 | 5/8 MED LOCKWASHER ZP |
| 16 | 2 | 2520-452 | 5/8-11 HEX NUT ZP |
| 17 | 2 | 2920-329 | DISC SEALER ARM |
| 18 | 1 | 2920-209 | DISC SEALER BRACKET W.A. |
| 19 | 1 | 2502-363 | 1/2-13 X 4-1/2 HHCS GR. 5 ZP |
| 20 | 4 | 2525-352 | 1/2 MED LOCKWASHER ZP |
| 21 | 4 | 2520-352 | 1/2-13 HEX NUT ZP |
| 22 | 1 | 2920-330 | BRACKET, DISC SEALER SPRING |
| 23 | 1 | 2550-745 | COMP. SPRING, .393 W, 1-5/8" ID |
| 24 | 1 | 2975-302 | 2975 SPRING BUSHING "PAINTED" |
| 25 | 1 | 2520-515 | 3/4-10 LOCK HEX NUT ZP |
| 26 | 1 | 2920-324 | PUSHROD, 9-3/16" EYEBOLT, ZP |
| 27 | 1 | 2502-393 | 5/8-11 X 2-1/2 HHCS GR. 5 ZP |
| 28 | 1 | 2920-342 | INNER PIVOT BUSHING ZYD |
| 29 | 1 | 2520-467 | 5/8-11 HEX LOCK NUT, JAM, ZP |
| 30 | 1 | 2920-210 | MOUNTING BRACKET W.A. |
| 31 | 2 | 2502-317 | 1/2-13 X 1-3/4 HHCS GR. 5 ZP |
| 32 | 2 | 2565-162 | YETTER DECAL, 1-1/2 X 4-1/2 |
| 33 | 2 | 2550-069 | SEAL, TRIPLE LIP, NTI# 1812-5 |
| 34 | 2 | 2967-302 | SPACER, 3/4", ZYD |
| 35 | 2 | 2502-296 | 1/2-13 X 2-1/2 HHCS GR. 5 ZP |

I622
REVISED 10/20/16

TROUBLESHOOTING

| Problem | Cause | Solution |
|---|---|---|
| Poor overall performance. | Toolbar not adjusted correctly | Adjust the toolbar so that during operation it is level. |
| Max Sealer Plus not creating a mound or too small of a mound. | Speed too slow. | Operate at 5mph min. |
| | Blades are not set aggressively enough | Increase the angle of the front edge of blade to the row. |
| | Toolbar is not level-probably nose down | Level toolbar. |
| Max Sealer Plus is not closing the knife track. | Blades are not set aggressive enough. | Curved blades the “cup” should be in toward the knife. |
| | | Increase the angle of the front edge of the blade. |