

# Yetter

## FARM EQUIPMENT

### TITAN™ SERIES

### 2967-013A/2967-014A NARROW ROW SHORT U.N.T.™ RESIDUE MANAGER

#### OPERATOR'S MANUAL PART IDENTIFICATION

2565-748\_1  
JULY 2017



**YETTER MANUFACTURING CO.**  
*FOUNDED 1930*

Colchester, IL 62326-0358  
Toll free: 800/447-5777  
309/776-3222 (Fax)  
Website: [www.yetterco.com](http://www.yetterco.com)  
E-mail: [info@yetterco.com](mailto:info@yetterco.com)

# YETTER

# FOREWORD

You've just joined an exclusive but rapidly growing club. For our part, we want to welcome you to the group and thank you for buying a Yetter product.

We hope your new Yetter products will help you achieve two goals: increase your productivity and increase your efficiency so that you may generate more profit.



This **SAFETY ALERT SYMBOL** indicates important safety messages in the manual. When you see this symbol, be alert to the possibility of **PERSONAL INJURY** and carefully read the message that follows.

The word **NOTE** is used to convey information that is out of context with the manual text. It contains special information such as specifications, techniques, and reference information of a supplementary nature.

The word **IMPORTANT** is used in the text when immediate danger will occur to the machine due to improper technique or operation.

It is the responsibility of the user to read the owner's manual, comply with safe and correct operating procedure, and to lubricate and maintain the product according to the information listed in this owner's manual.

The user is responsible for inspecting their machine and for having parts repaired or replaced when it is damaged or worn. Continued use of a damaged or worn part can cause injury or more extensive damage to the machine.

If you have any questions regarding the information given in this manual, consult your local Yetter dealer or contact:

Yetter Manufacturing Co.  
(309)776-4111  
(800)447-5777  
Website: [www.yetterco.com](http://www.yetterco.com)  
Email: [info@yetterco.com](mailto:info@yetterco.com)

# WARRANTY

Yetter Manufacturing warrants all products manufactured and sold by it against defects in material. This warranty being expressly limited to replacement at the factory of such parts or products that appear to be defective after inspection. The warranty does not obligate Yetter Manufacturing to bear the cost of labor in replacement of parts. It is the policy of the Company to make improvements without incurring obligations to add them to any unit sold prior. No warranty is made, or authorized to be made, other than herein set forth. This warranty is in effect for one year after purchase.

Dealer: \_\_\_\_\_

**Yetter Manufacturing warrants its own products and cannot be held responsible for damages to equipment on which they are mounted.**

# TABLE OF CONTENTS

<b>SAFETY INFORMATION .....</b>	<b>4</b>
<b>BOLT TORQUE.....</b>	<b>5</b>
<b>OPTIONAL EQUIPMENT .....</b>	<b>6</b>
<b>INSTALLATION INSTRUCTIONS.....</b>	<b>7-8</b>
<b>OPERATION .....</b>	<b>9-10</b>
<b>PLANTER ADJUSTMENT .....</b>	<b>11</b>
<b>MAINTENANCE .....</b>	<b>12-17</b>
<b>PART IDENTIFICATION .....</b>	<b>18-19</b>

# **SAFETY INFORMATION**

## **BE ALERT!**

### **YOUR SAFETY IS INVOLVED**

It is the responsibility of the owner, operator, or supervisor to know and instruct everyone using this machine at the time of initial assignment and at least annually thereafter, of the proper operation, precautions, and work hazard which exist in the operation of the machine in accordance with OSHA regulations.

### **SAFETY IS NO ACCIDENT**

**The following safety instructions combines with common sense will save your equipment from needless damage and the operator from unnecessary exposure to personal hazard. Pay special attention to the caution notes in the text. Review this manual each year and with new and experience operators.**



1. Read and understand the operator's manual before operating this machine. Failure to do so is considered a misuse of the equipment.
2. Make sure equipment is secure before use.
3. Always keep children away from equipment while in operation.
4. Make sure everyone that is not directly involved with the operation is clear of the work area before use.
5. Be sure all safety devices, shield, and guards are in place and functional before beginning operation
6. Shut off all power to the unit prior to adjustment, servicing, or cleaning.
7. Keep hands, feet, and clothing away from moving parts. It is a good idea to remove all jewelry before starting the operation.
8. Visually inspect the machine periodically during operation for signs of excessive vibration, loose fasteners, and unusual noises.



**WARNING:** Never work around the toolbar/implement while in a raised position without using safety lockups.



**CAUTION:** The Titan™ Residue Manager attachments are very heavy. Pay extra attention to lifting techniques while handling and/or maneuvering the opener during assembly. Failure to do so may lead to personal injury.

# BOLT TORQUE

**Important:** Over tightening hardware can cause as much damage as under tightening. Tightening hardware beyond the recommended range can reduce its shock load capacity.

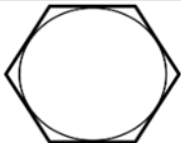



All hardware used on the Titan™ Residue Manager is Grade 5 unless otherwise specified. If hardware must be replaced, be sure to replace it with hardware of equal size, strength, and thread type.

**The chart below is a guide for proper torque. Use it unless a specified torque value is given elsewhere in the manual.**

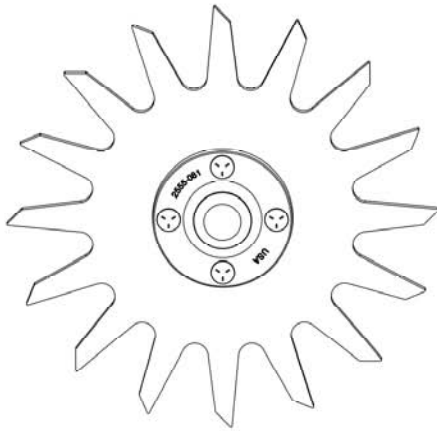
**Torque is the force you apply to the wrench handle times the length of the handle.**

## Use a torque wrench wherever possible

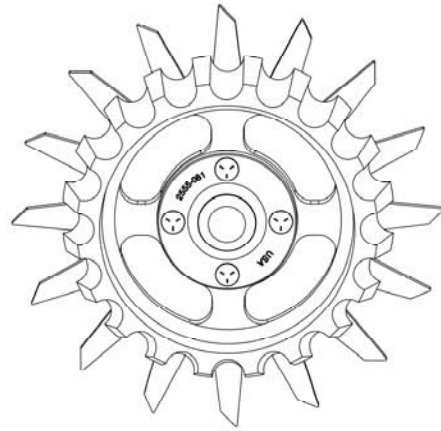
The following table shows torque in ft-lbs for coarse thread hardware.

Bolt Diameter and Threads per Inch				
	Grade 2	Grade 5	A-325	Grade 8
Units	ft-lbs	ft-lbs		ft-lbs
1/4	6	10		14
5/16	12	20		30
3/8 – 16	25	35		50
7/16 – 14	35	55		80
1/2 – 13	55	85		125
9/16 – 12	75	125		175
5/8 – 11	105	170		235
3/4-10	185	305		425
7/8 – 9	170	445		690
1-8	260	670		1030
1 1/8 – 7	365	900		1460
1 1/4 - 7	515	1275		2060
1 3/8 – 6	675	1675		2700
1 1/2 - 6	900	2150		3500
1 3/4 – 5	1410	3500		5600

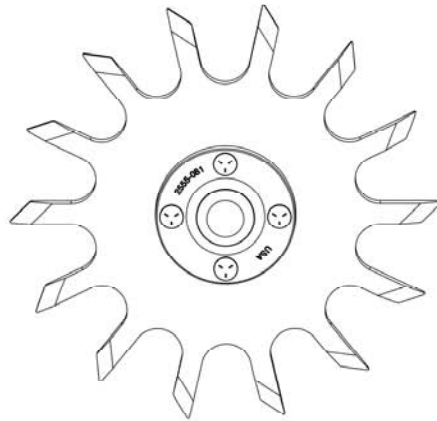
# OPTIONAL EQUIPMENT



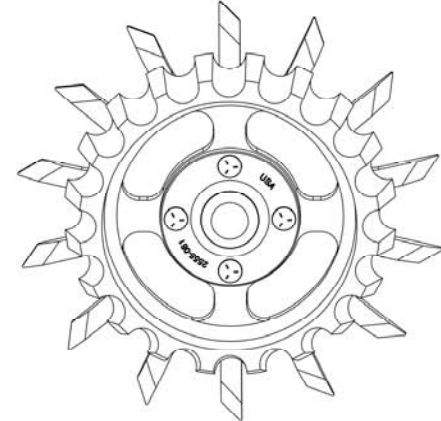
**SPOKE WHEEL ASSEMBLY**  
RIGHT HAND: 2966-140 (SHOWN)  
LEFT HAND: 2966-141



**SPOKE WHEEL ASSEMBLY W/ FLOATER WHEEL**  
RIGHT HAND: 2966-140-FW (SHOWN)  
LEFT HAND: 2966-141-FW



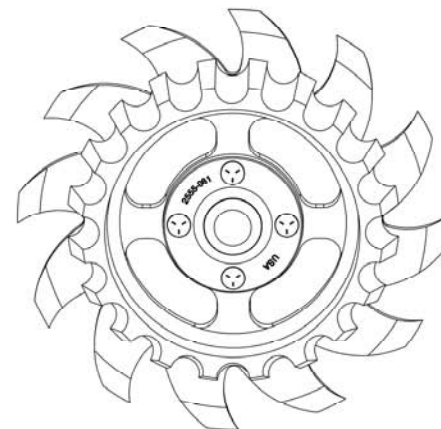
**BEVEL WHEEL ASSEMBLY**  
RIGHT HAND: 2966-140-BW (SHOWN)  
LEFT HAND: 2966-141-BW



**BEVEL WHEEL ASSEMBLY W/ FLOATER WHEEL**  
RIGHT HAND: 2966-140-BW (SHOWN)  
LEFT HAND: 2966-141-BW



**SHARKTOOTH WHEEL ASSEMBLY**  
RIGHT HAND: 2966-140-ST (SHOWN)  
LEFT HAND: 2966-141-ST

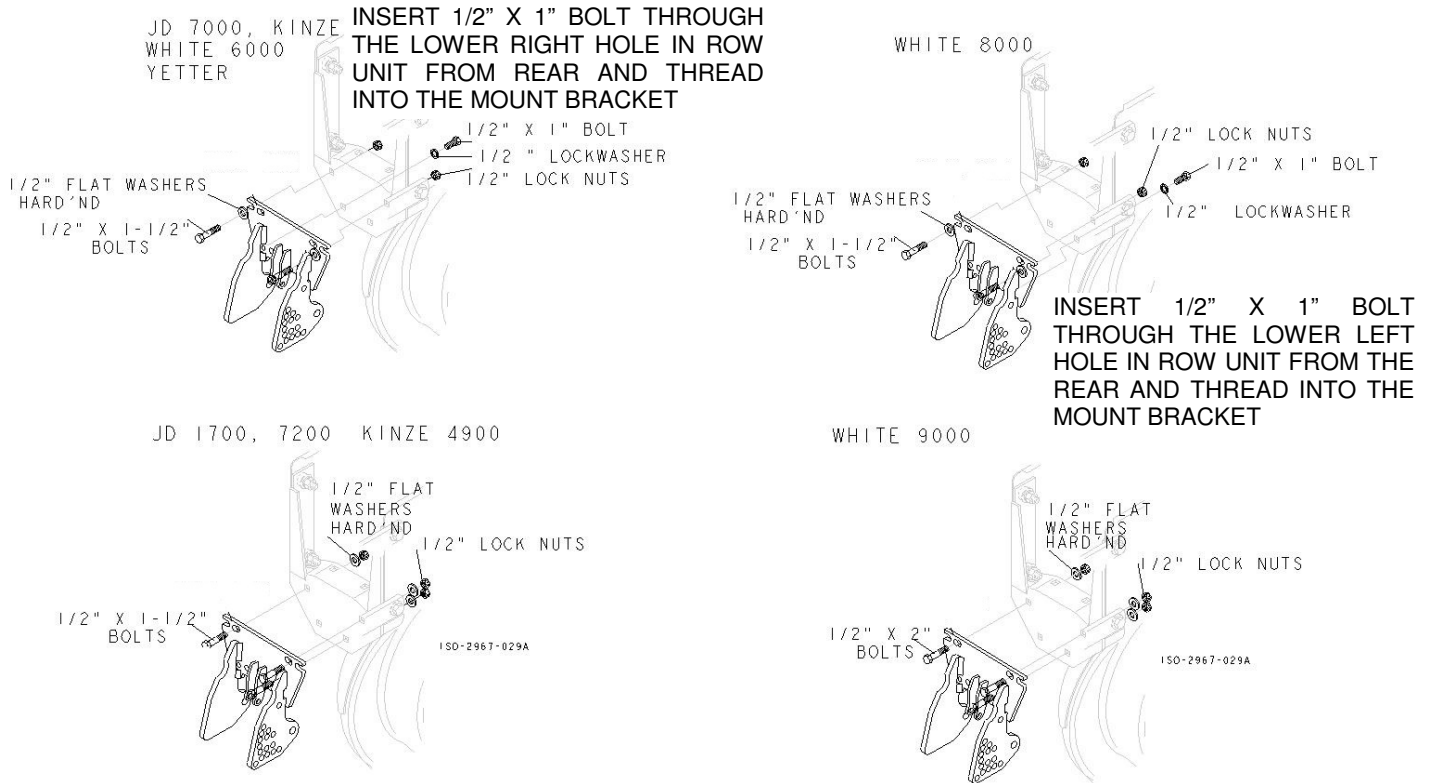


**SHARKTOOTH WHEEL ASSEMBLY W/ FLOATER WHEEL**  
RIGHT HAND: 2966-140-ST-FW (SHOWN)  
LEFT HAND: 2966-141-ST-FW

# INSTALLATION INSTRUCTIONS

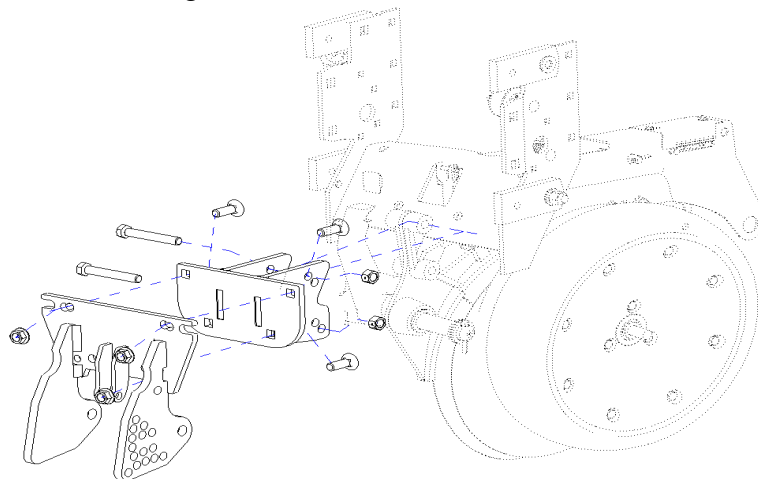
## 2967-013A

**STEP 1.** Attach the Residue Manager Assembly to the planter unit using 3) 1/2" bolts and lock nuts.



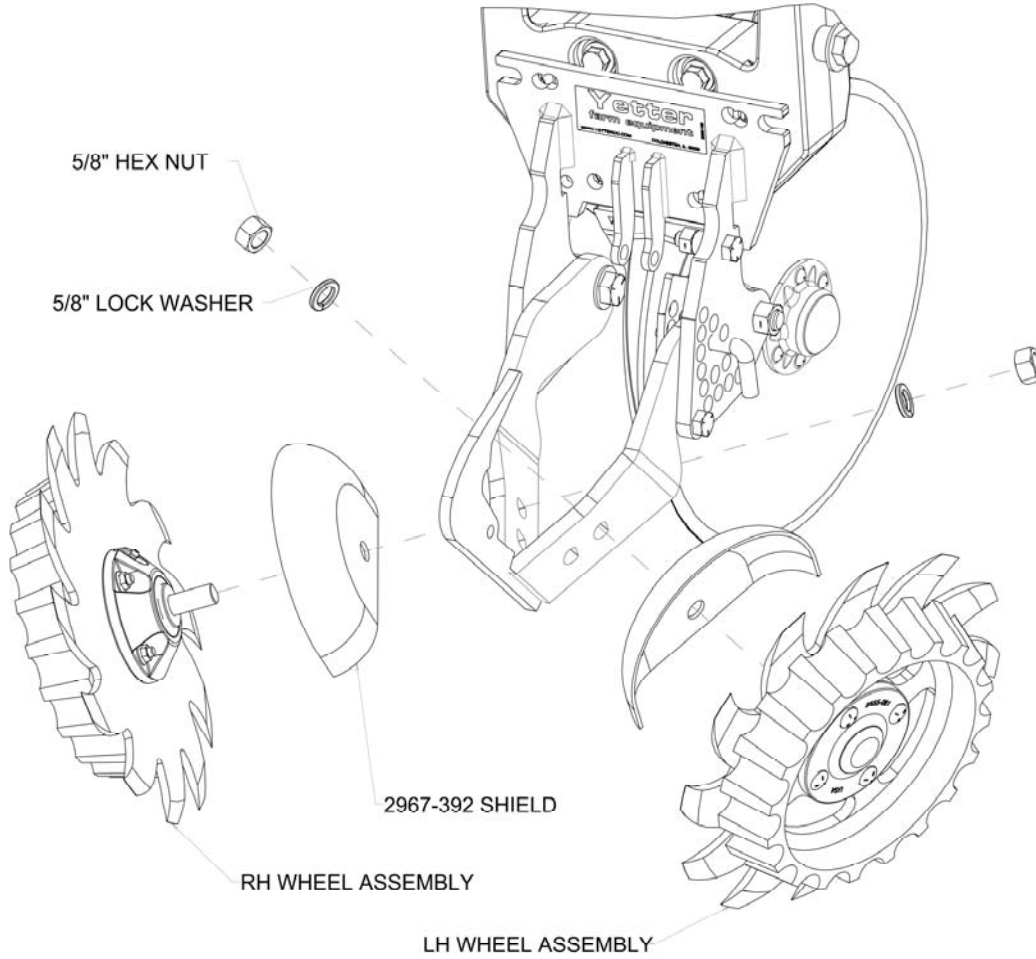
## 2967-014A

**STEP 1A.** Attach the 2966-293 adapter to the CIH row unit using the 1/2" x 3-1/2" bolts and lock nuts then install the Residue Manager Assembly to the adapter using the 1/2" x 1-1/2" carriage bolts and flanged lock nuts.



# INSTALLATION INSTRUCTIONS

**STEP 2.** Choose the hole in which to attach the R.M. wheel assemblies. Attach the R.M. wheel/hub assemblies to the combo arm using 5/8" lock washers and hex nuts. Adjust the bearing shield to top dead center, rotated slightly forward. Torque to 150 ft. lbs.





# OPERATION



**CAUTION:** Where rocks are present the residue manager should be set in the “float” position, not locked down.

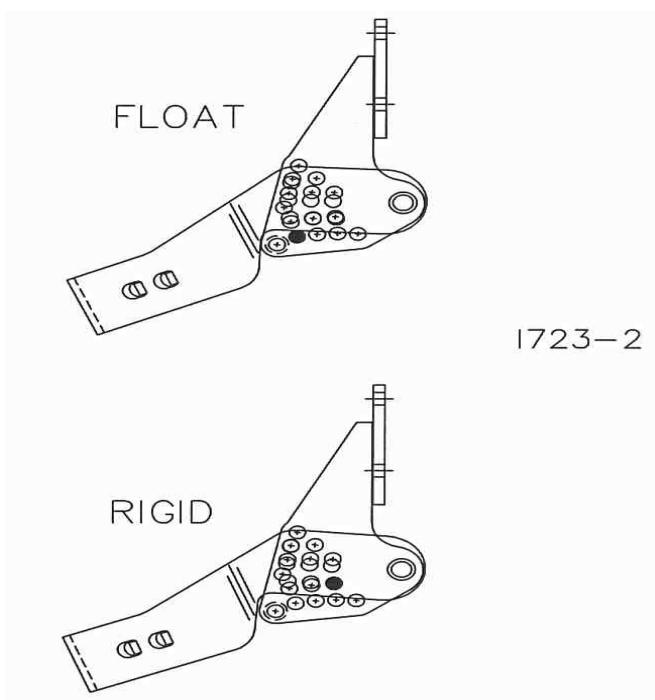
Adjust the residue manager to move crop residue aside and not move any soil. Adjustments to the residue manager may have to be made when changing field conditions and type and amount of residue. Use the handle for leverage when changing depth settings.

## “FLOAT SETTINGS”

Install the adjustment pin below the combo arm.

To raise the wheels, lift the 2966-201 and move the adjustment pin up.

To lower the wheels, move the adjustment pin down.



## “RIGID SETTING”

Install the adjustment pin through the combo arm.

To raise the wheels, lift the 2966-201 combo arm to the desired position and insert the pin.

To lower the wheels, lower the combo arm to the desired position and insert the pin.

## ROW CLEANER DO'S AND DON'TS

1. **DO NOT** move soil; Residue Managers are designed to move crop residue only.
2. **DO NOT** operate planter at slow speeds, ground speed affects how aggressive the spoke wheels are; operate at sufficient speed (4-6 mph) to maintain good residue flow.
3. **DO NOT** expect 100% of crop residue to be cleared, it is not necessary and would necessitate engaging the soil. The width of path cleared depends on ground conditions, depth setting and ground speed.
4. **DO** expect to see wheels occasionally quit turning, indicates ideal (shallow) setting which is not moving soil.
5. **DO** adjust toolbar frame height 20”-22” and drawbar to “level” correctly. Very important to ensure planter opener will follow ground contours properly.

## OPERATION PRECAUTIONS

# STOP

Read this before using the Yetter product.

### - MACHINE OPERATION

**IMPORTANT:** failure to properly set the planter frame height and levelness can result in less than successful operation of the planter and the Yetter product and may result in damaged equipment. All operators should read and thoroughly understand the instructions given prior to using the Yetter product.

NOTE: **DO NOT** use this product if the planter is not adjusted properly!

Leveling the planter:

With the planter lowered to proper operating height (**Usually 20"-22"**). **Read the planter operator's manual for recommended setting**. Check to be sure the toolbar and row unit parallel arms are level fore and aft. **Re-check** when the planter is in the **field** and has been **fully loaded** with seed, fertilizer, granular chemicals, etc. Also, a field check with a bubble level on the frame should be made of the hitch height to ensure level operation front to back.

It is important for the planter to operate level laterally. Tire pressure must be maintained at pressures specified by the manufacturer.

Field and actual planting conditions change and will dictate planter frame heights. You must ensure that the row unit parallel arms are approximately parallel with the ground.

**IMPORTANT:** For proper operation of the planter attachments and row units, it is imperative that the planter toolbars and row unit parallel arms be level side-to-side and front-to-rear. The toolbar frame should operate at a 20"-22" height from the **planting surface**. Check the manufacturer's operator's manual for instructions on how to adjust the frame height and levelness.

# PLANTER ADJUSTMENT

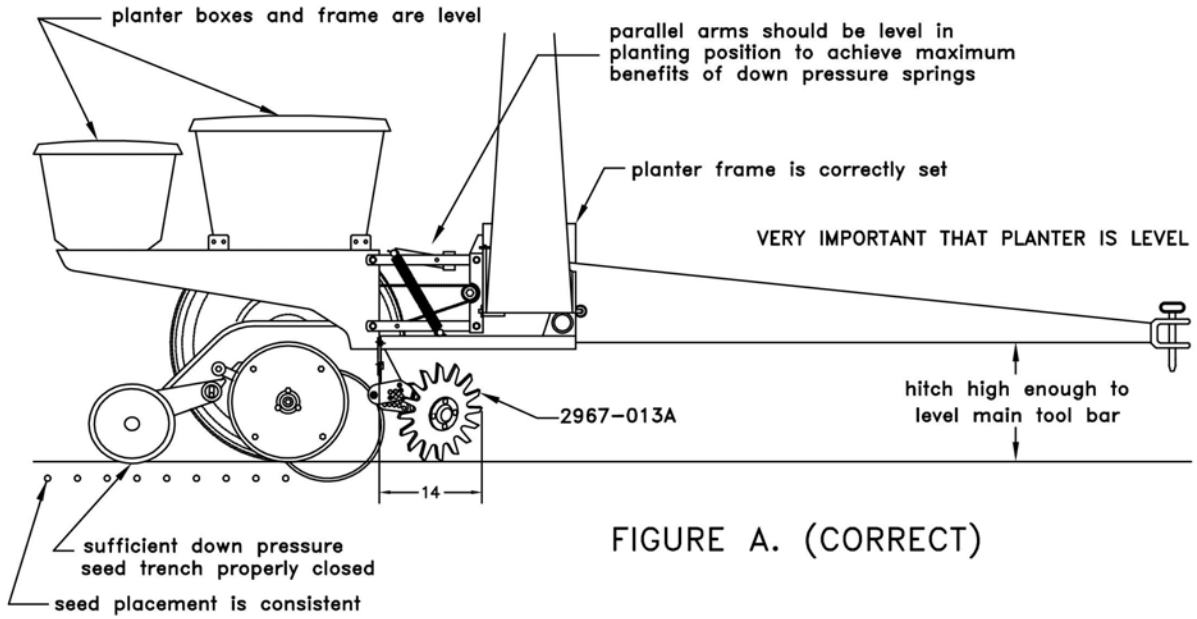


FIGURE A. (CORRECT)

1723-3

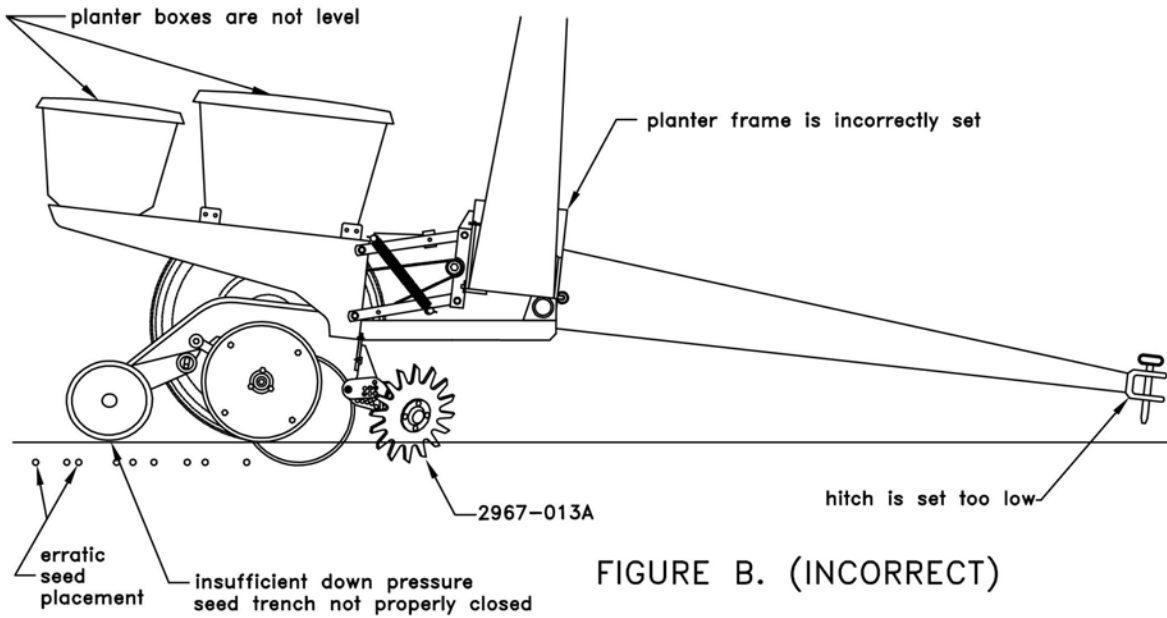


FIGURE B. (INCORRECT)

# MAINTENANCE

Regularly inspect the residue manager for loose or worn parts. Repair and replace as needed.

## BEARING ASSEMBLY AND LUBRICATION

### Practice Safety

Understand and practice safe service procedures before doing work. Follow ALL the operating, maintenance and safety information in the equipment operator manual. Clear the area of bystanders, especially small children, when performing any maintenance or adjustments. Keep work area clean and dry. Use adequate lighting for the job. Use only tools, jacks and hoists of sufficient capacity for the job.

Never lubricate, service, or adjust machine while it is moving. Keep hands, feet, and clothing from power-driven moving and rotating parts. Disengage all power and operate controls to relieve pressure. Lower equipment to the ground and stop the engine.

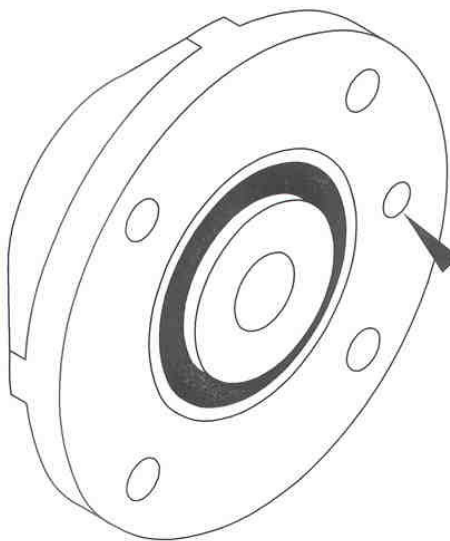
Remove the key. Wait for all moving parts to stop before servicing, adjusting, repairing or unplugging.

Securely support any machine elements with blocks or safety stands that must be raised for service work.

Keep all parts in good condition and properly installed. Fix damaged equipment immediately. Replace worn or broken parts. Remove any buildup of grease, oil, or debris.

Make sure all guards are in place and properly secured when maintenance work is completed.

### Assembly

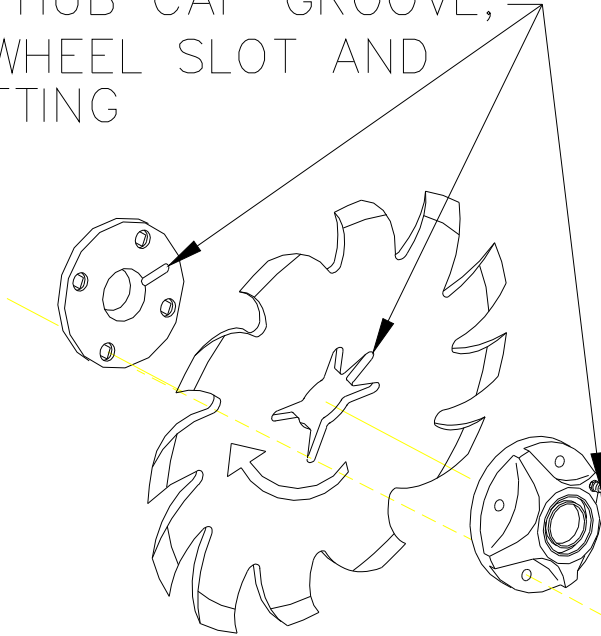


ALIGN GREASE  
FITTING HOLES.

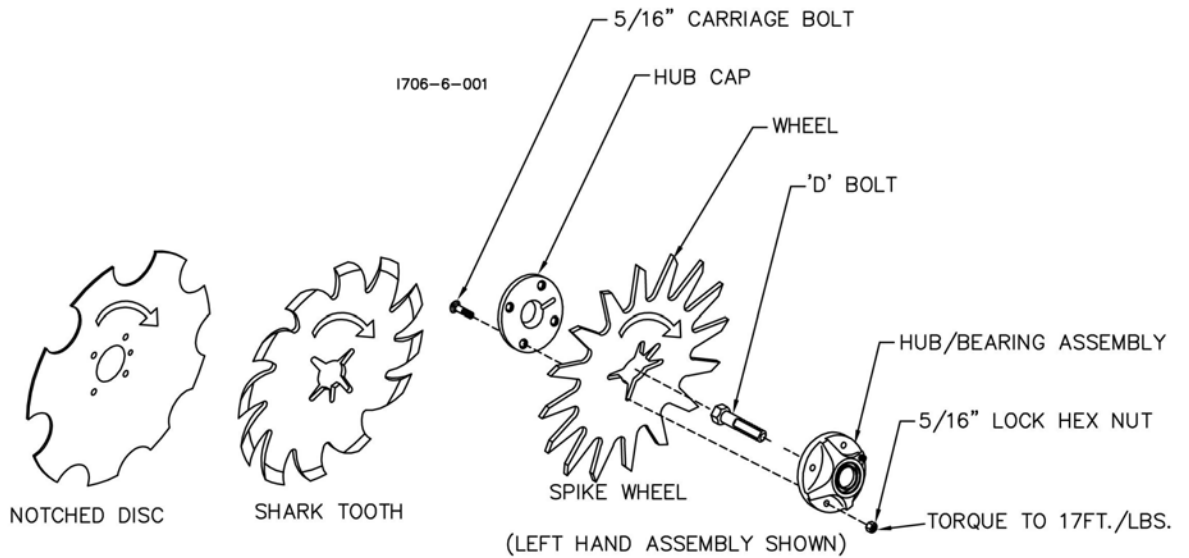
1190-1

# MAINTENANCE

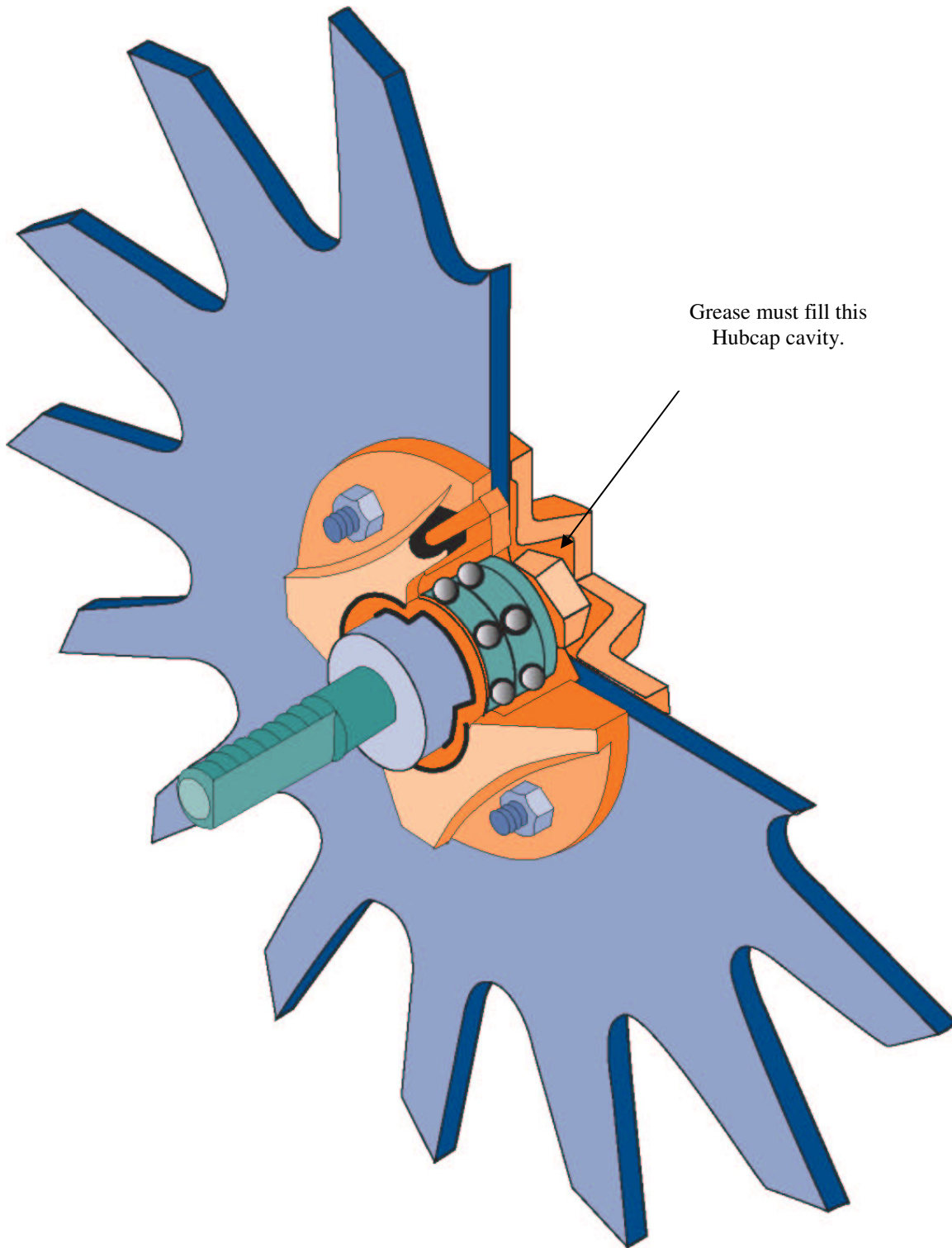
ALIGN THE HUB CAP GROOVE,  
WITH THE WHEEL SLOT AND  
GREASE FITTING



**NOTE:** Be certain to align the grease fitting with the slot in the wheel and the hubcap so that the grease can flow freely.




# MAINTENANCE



# MAINTENANCE

## Lubrication

 **CAUTION:** To help prevent serious injury or death to you or others caused by unexpected movement, service machine on a level surface. Lower machine to ground or sufficiently lock or block raised machine before servicing. If machine is connected to tractor, engage parking brake and place transmission in "PARK", shut off engine and remove key. If machine is detached from tractor, block wheels and use shop stands to prevent movement.

 **CAUTION:** Do not clean, lubricate, or adjust machine while in motion.

Use grease based on NLGI consistency numbers and the expected air temperature range during the service interval.

Use a **multi-purpose polyurea, water resistant, moderate speed, and NLGI grade #2** grease.

Other greases may be used if they meet the following **NLGI Performance Classification: GC-LB**

**IMPORTANT:** Some types of grease thickener are not compatible with others. Consult your grease supplier before mixing different types of grease.

### Alternative Lubricants

Conditions in certain geographical areas may require special lubricants and lubrication practices which do not appear in the operator's manual. If there are any questions, consult Yetter Manufacturing Co. to obtain latest information and recommendation.

PART #	DESCRIPTION	OUNCES OF GREASE
2967-404	13" TAPER TOOTH R.M. WHEEL	1.12 OZ
2967-602	13" SHARK TOOTH R.M. WHEEL	1.12 OZ
2967-186	FLOATER WHEEL KIT W/R.M. WHEEL	2.08 OZ
2967-596	HEAVY DUTY OR BEVEL R.M. WHEEL W/ FLOATER WHEEL KIT	2.40 OZ

### Storing Lubricants

Your machine can operate at top efficiency only if clean lubricants are used.

Use clean containers to handle all lubricants.

Store them in an area protected from dust, moisture and other contaminants.

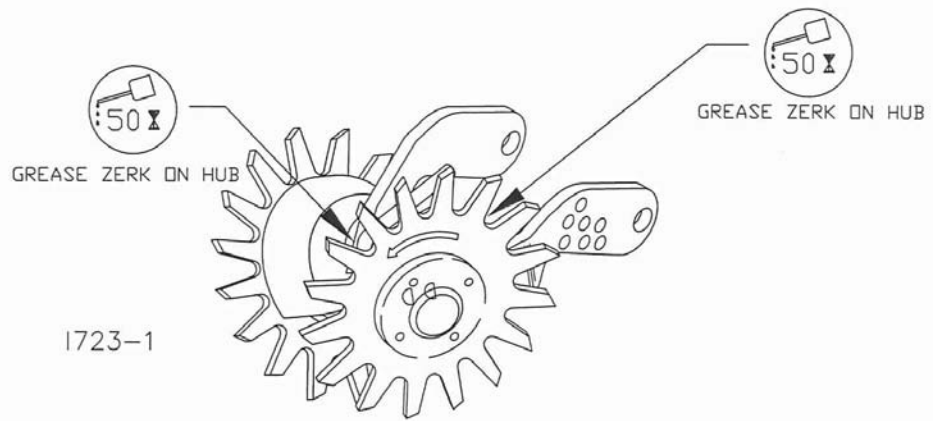
# MAINTENANCE

## Lubrication Symbols



Lubricate with grease at hourly interval indicated on symbol.

## Lubrication Intervals



**IMPORTANT: The recommended service intervals are based on normal conditions; severe or unusual conditions may require more frequent lubrication.**

Perform each lubrication and service procedure at the beginning and end of each season.

Clean grease fittings before using grease gun, to avoid injecting dirt and grit into the bearing. Replace any lost or broken fittings immediately. If a fitting fails to take grease, remove and clean thoroughly, replace fitting if necessary. Also check for failure of adjoining parts.

## BEARING REPLACEMENT INSTALLATION

1. When assembling the spoke wheels, bearing assembly and hubcap, be sure to align the grease transfer hole in the spoke wheel with the groove in the hubcap and hole in the hub to allow grease passage.
2. Assemble the wheels, hubs and caps.
3. Grease the wheel/hub/bearing assembly.



# MAINTENANCE

## **Storing the Equipment**

Store the machine in an area away from human activity

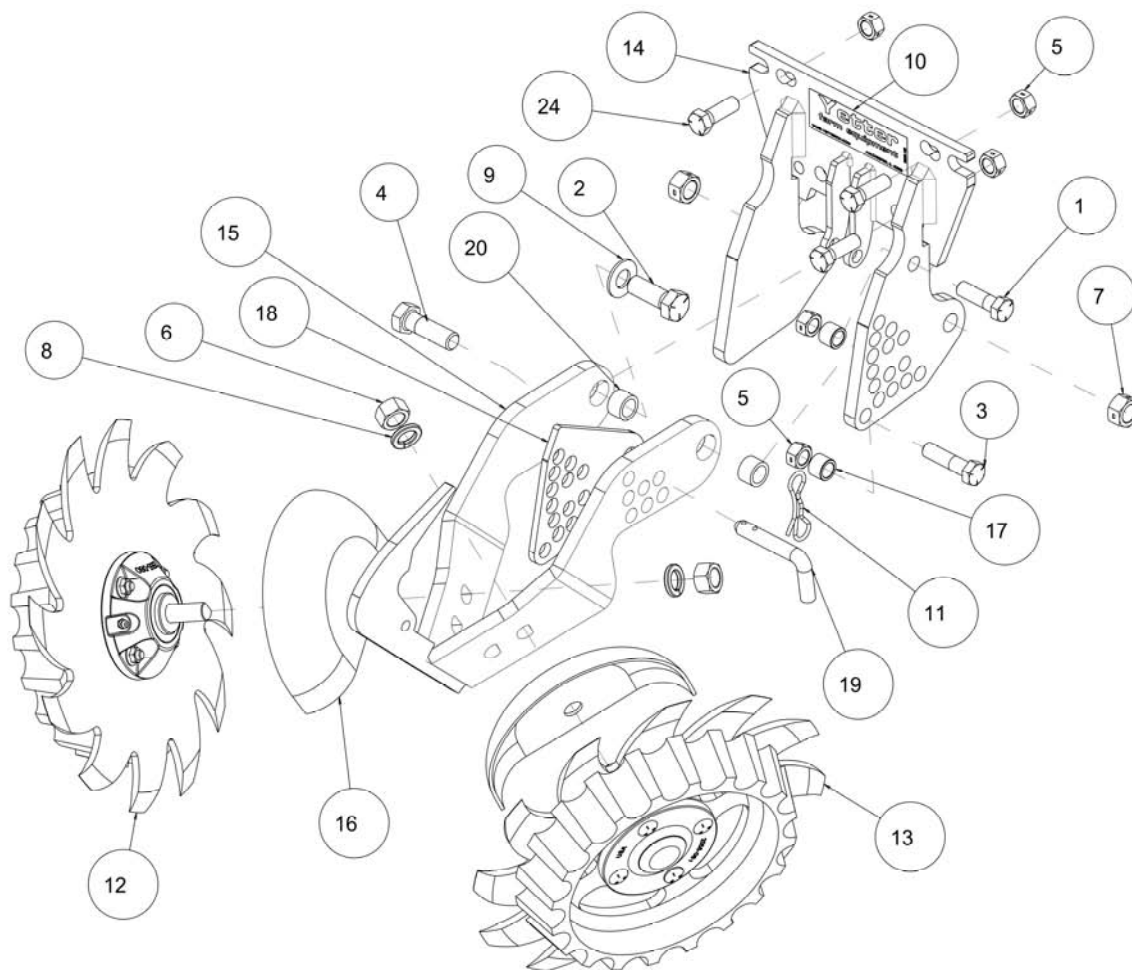
Store machine in RAISED position.

Install service locks on all wheel cylinders.

At the end of the season, the machine should be thoroughly inspected and prepared for storage. Repair or replace any worn or damaged components to prevent down time at the start of the next season. Store machine under cover with all parts in operating condition.

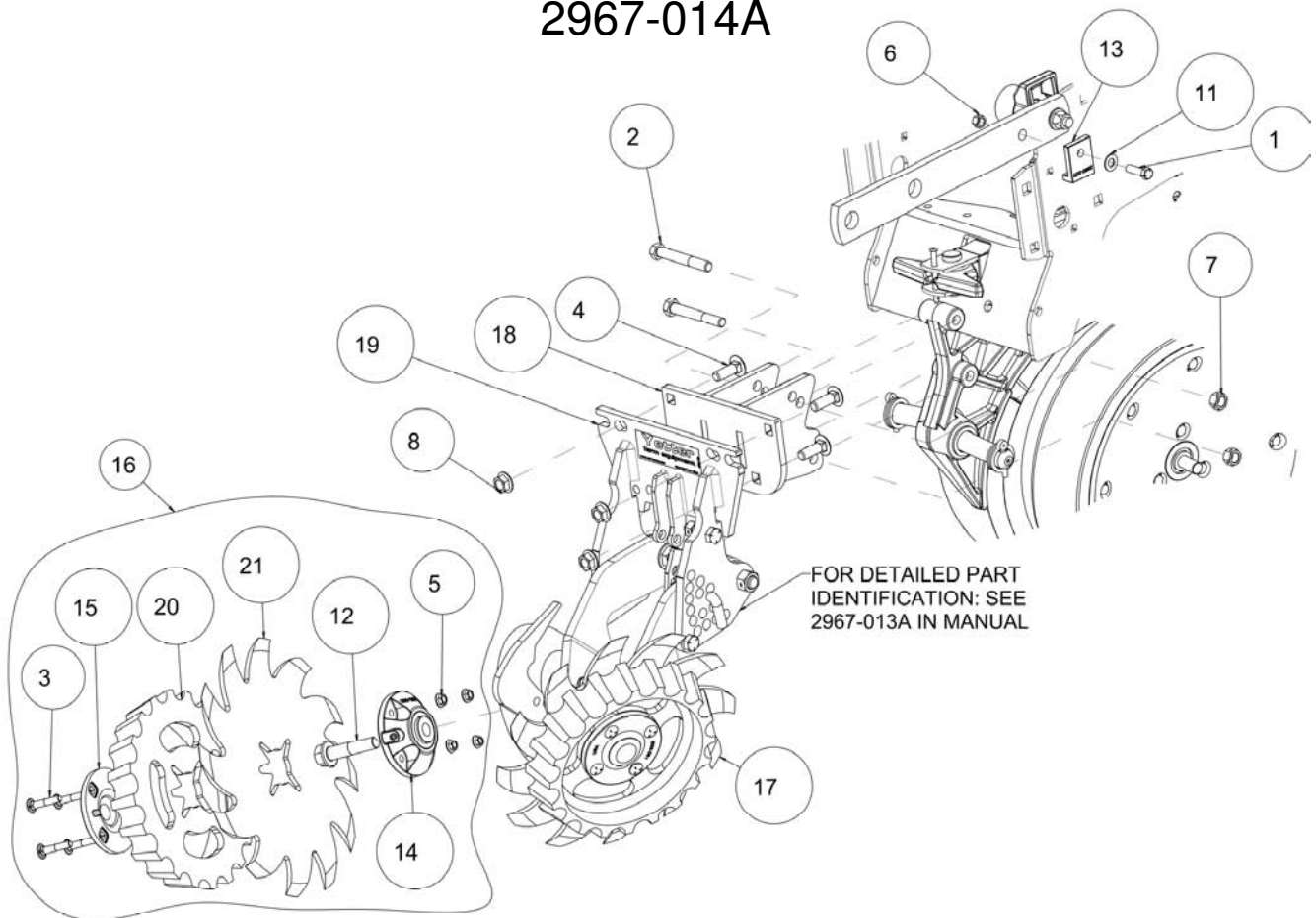
- Clean machine thoroughly to remove all dirt, debris and crop residue, which would hold moisture and cause rusting.
- Inspect machine for worn or broken parts. See your Yetter Farm Equipment dealer during the off-season so that parts or service can be acquired when machine is not needed in the field.
- Lubricate bearings as outlined in the Lubrication section
- Paint all parts which are chipped or worn and require repainting.
- Store machine in a clean, dry place with the planting unit out of the sun.
- If the machine cannot be stored inside, cover with a waterproof tarpaulin and tie securely in place.
- Do not allow children to play on or around the machine

# PART IDENTIFICATION 2967-013A



ITEM	PART #	DESCRIPTION	QTY
1	2502-317	1/2-13 X 1-3/4 HHCS GR5 ZP	1
2	2502-331	5/8-11 X 1-3/4 HHCS GR5 ZP	1
3	2502-351	1/2-13 X 2 HHCS GR.5 ZP	1
4	2502-391	5/8-11 X 2 HHCS GR 5 ZP	1
5	2520-357	1/2-13 LOCK HEX NUT, GR A, ZP	5
6	2520-452	5/8-11 HEXNUT ZP	2
7	2520-459	5/8-11 LOCK HEX NUT, GR B, ZP	2
8	2525-451	5/8 MED. LOCKWASHER ZP.	2
9	2526-453	5/8 SAE FLATWASHER ZP	1
10	2565-162	YETTER DECAL, 1-1/2 X 4-1/2	1
11	2570-448	.120BOWTIE LCKING COTT ZP	1
12	2966-140-ST-FW	SHRKTH ASSY,RH,3"D-BOLT FLT WL	1
13	2966-141-ST-FW	SHRKTH ASSY,LH,3"D-BOLT FLT WL	1
14	2966-290	MOUNT, W, SHORT TITAN	1
15	2966-291	ARM, W, NARROW TITAN	1
16	2967-392	SHIELD, RM-PAINTED	2
17	2967-622	9/16" SPACER ZP	2
18	2967-639	SECONDARY ADJUSTMENT PLATE	1
19	2984-326	R.M. UPSTOP PIN ZP	1
20	6000-335	9/16" BUSHING	2
24	2502-294	1/2-13 X 1-1/2 HHCS GR5 ZP	3
	2502-351	1/2-13 X 2 HHCS GRADE 5 (WHITE 9000)	3

# PART IDENTIFICATION 2967-014A



ITEM	PART #	DESCRIPTION	QTY
1	2502-244	3/8-16 X 1-1/4 HHCS GR 5 ZP	2
2	2502-316	1/2-13 X 3-1/2 HHCS GR5 ZP	2
3	2505-209	5/16-18 X 1 3/4CRBLT G5 ZP	4
4	2505-339	1/2-13 X 1-1/2 CARBLT G5ZP	3
5	2520-206	5/16-18 FLANGE LOCK NUT	4
6	2520-255	3/8-16 LOCK HEX NUT ZP	2
7	2520-357	1/2-13 LOCK HEX NUT, GR A, ZP	2
8	2520-361	1/2-13FLANGE WHZLCK HXNT, GR 5, ZP	3
9	2520-452	5/8-11 HEXNUT ZP	2
10	2525-451	5/8 MED. LOCKWASHER ZP.	2
11	2526-253	3/8 SAE FLATWASHER ZP	2
12	2570-740	D-BOLT, FLGD, 5/8-11 X 2.812 GR. 8	1
13	2960-223	CYCLO STOP CASTING, LARGE HOLE	2
14	2965-128	HUB AND BEARING ASSY.,4 BOLT	1
15	2965-352	HUB CAP CASTING, 4 BOLT, BLACK	1
16	2966-140-ST-FW	SHRKTH ASSY,RH,3"D-BOLT FLT WL	1
17	2966-141-ST-FW	SHRKTH ASSY,LH,3"D-BOLT FLT WL	1
18	2966-293	ADAPTER, W, TILLAGE ATTACHED	1
19	2967-013A-SUBASSY	SHORT ARM RM SUB ASS'Y	1
20	2967-555	FLOATER WHEEL	1
21	2967-602	13" SHARK TOOTH WHEEL	1

# Our name Is getting known

Just a few years ago, Yetter products were sold primarily to the Midwest only. Then we embarked on a program of expansion and moved into the East, the South, the West and now north into Canada. We're even getting orders from as far away as Australia and Africa.

So, when you buy Yetter products . . .you're buying a name that's recognized. A name that's known and respected. A name that's become a part of American agriculture and has become synonymous with quality and satisfaction in the field of conservation tillage.

Thank you.

**YETTER MANUFACTURING CO.**  
Colchester, IL 62326-0358 • 309/776-4111  
Toll Free 800/447-5777  
Fax 309/776-3222  
Website: [WWW.YETTERCO.COM](http://WWW.YETTERCO.COM)  
E-MAIL: [INFO@YETTERCO.COM](mailto:INFO@YETTERCO.COM)