



TITAN™ SERIES

2967-029A SHORT U.N.T.™

2967-097A SHORT U.N.T.™ CNH

RESIDUE MANAGER

Owner's Manual

Part Identification

2565-696_Rev_I - 01/2018



YETTER MANUFACTURING CO.

Founded 1930

Colchester, IL 62326

Toll Free: (800)447-5777

Fax: (309)776-3222

Website: yetterco.com

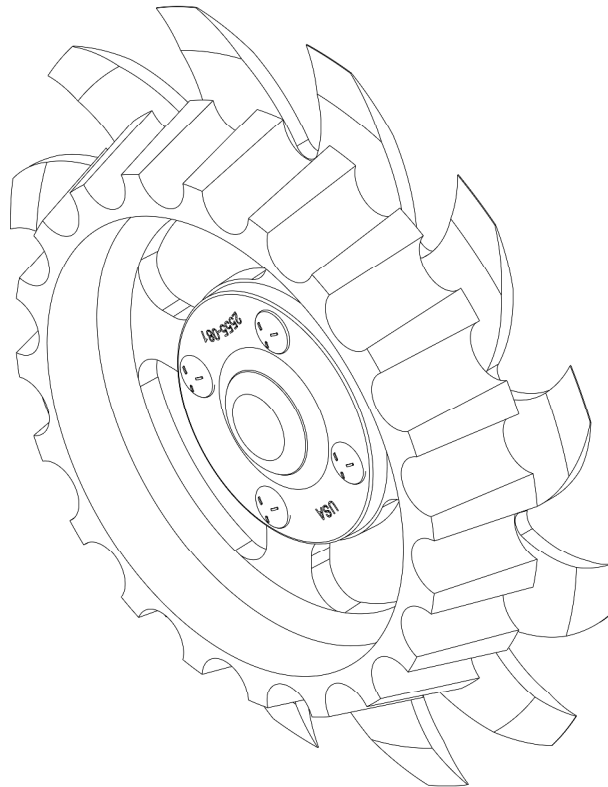
E-mail: info@yetterco.com

YETTER

Table of Contents

Foreword	3
Warranty	3
Safety	4
Bolt Torque	5
Operation.....	6
Planter Adjustment.....	7-8
Installation Instructions	9-11
Maintenance	12-16
Part Identification	17-19

Optional Equipment



2967-186 Floater Wheel
LH Assembly Shown
(2) Required Per Row

FOREWORD

You've just joined an exclusive but rapidly growing club.

For our part, we want to welcome you to the group and thank you for buying a Yetter product.

We hope your new Yetter products will help you achieve both goals-increase your productivity and increase your efficiency so that you may generate more profit.

This operator's manual has been designed into four major sections: Foreword, Safety Precautions, Installation Instructions and Parts Breakdown.



This **SAFETY ALERT SYMBOL** indicates important safety messages in the manual. When you see this symbol, be alert to the possibility of **PERSONAL INJURY** and carefully read the message that follows.

The word **NOTE** is used to convey information that is out of context with the manual text. It contains special information such as specifications, techniques and reference information of a supplementary nature.

The word **IMPORTANT** is used in the text when immediate damage will occur to the machine due to improper technique or operation.

Important will apply to the same information as specified by note only of an immediate and urgent nature.

It is the responsibility of the user to read the operator's manual and comply with the safe and correct operating procedure and to lubricate and maintain the product according to the maintenance schedule in the operator's manual.

The user is responsible for inspecting his machine and for having parts repaired or replaced when continued use of the product would cause damage or excessive wear to the other parts.

It is the user's responsibility to deliver his machine to the Yetter dealer who sold him the product for service or replacement of defective parts, which are covered by the warranty policy.

If you are unable to understand or follow the instructions provided in this publication, consult your local Yetter dealer or contact:

YETTER MANUFACTURING CO.

309/776-4111

800/447-5777

309/776-3222 (FAX)

Website: www.yetterco.com

E-mail: info@yetterco.com

WARRANTY

Yetter Manufacturing warrants all products manufactured and sold by it against defects in material. This warranty being expressly limited to replacement at the factory of such parts or products as shall appear to be defective after inspection. This warranty does not obligate the Company to bear cost of labor in replacement of parts. It is the policy of the Company to make improvements without incurring obligations to add them to any unit already sold. No warranty is made or authorized to be made, other than herein set forth. This warranty is in effect for one year after purchase.

DEALER: _____

Yetter Manufacturing warrants its own products only and cannot be responsible for damages to equipment on which mounted.

BE ALERT!

YOUR SAFETY IS INVOLVED



WATCH FOR THIS SYMBOL. IT POINTS OUT IMPORTANT SAFETY PRECAUTIONS. IT MEANS “ATTENTION – BE ALERT!”

It is your responsibility as an owner, operator, or supervision to know and instruct everyone using this machine at the time of initial assignment and at least annually thereafter, of the proper operation, precautions, and work hazards which exist in the operation of the machine in accordance with OSHA regulations.

Safety Is No Accident

The following safety instructions, combined with common sense, will save your equipment from needless damage and the operator from unnecessary exposure to personal hazard. Pay special attention to the caution notes in the text. Review this manual at least once a year with all operators.



1. Read and understand the operator's manual before operating this machine. Failure to do so is considered a misuse of the equipment.
2. Make sure equipment is secure before operating.
3. Always keep children away from equipment when operating.
4. Make sure everyone that is not directly involved with the operation is out of the work area before beginning operation.
5. Make sure all safety devices, shields, and guards are in place and functional before beginning operation
6. Shut off all power to adjust, service, or clean.
7. Keep hands, feet, and clothing away from moving parts. It is a good idea to remove all jewelry before operating.
8. Inspect the machine periodically during operation for signs of excessive wear, loose fasteners, and unusual noises.

Lubricate all bearings and moving parts as assembled. Make certain that they work freely.



Warning: Never work around the toolbar/implement while in a raised position without using safety lockups.



Caution: The Titan™ Residue Manager and its attachments are very heavy. Pay extra attention to lifting techniques while handling or maneuvering the system during assembly. Failure to do so may lead to personal injury.

BOLT TORQUE



Important: Over-tightening hardware can cause just as much damage as under-tightening. Tightening hardware beyond the recommended range can reduce its shock load capacity.





All hardware on the Titan™ Residue Manager is Grade 5 or Grade 8, unless otherwise noted. Grade 5 cap screws are marked with three radial lines on the head. Grade 8 cap screws are marked with six radial lines on the head. If hardware must be replaced, be sure to replace it with hardware of equal size, strength and thread type. Refer to the torque values chart when tightening hardware.

The chart below is a guide for proper torque. Use it unless a specified torque is called out elsewhere in the manual.

Torque is the force applied to the end of the handle or cheater bar, times the length of the handle or bar.

Use a torque wrench wherever possible.

The following table shows torque in ft-lbs for coarse thread hardware.

Bolt Diameter and Threads per Inch	 Grade 2	 Grade 5	 A-325	 Grade 8
1/4	6	10		14
5/16	12	20		30
3/8 – 16	25	35		50
7/16 – 14	35	55		80
1/2 – 13	55	85		125
9/16 – 12	75	125		175
5/8 – 11	105	170		235
3/4-10	185	305		425
7/8 – 9	170	445		690
1-8	260	670		1030
1 1/8 – 7	365	900		1460
1 1/4 - 7	515	1275		2060
1 3/8 – 6	675	1675		2700
1 1/2 - 6	900	2150		3500
1 3/4 – 5	1410	3500		5600

OPERATION



Where rocks are present, the residue manager should be set to float. The system can be damaged if a rigid setting is used.

Adjust the residue manager to move crop residue aside and not to move soil. Adjustments to the residue manager may have to be made with changing field conditions and the type and/or amount of residue. Use the handle for leverage when changing depth settings.

Float Settings

Install the adjustment pin below the combo arm.

To raise the wheels, lift the combo arm and move the adjustment pin up.

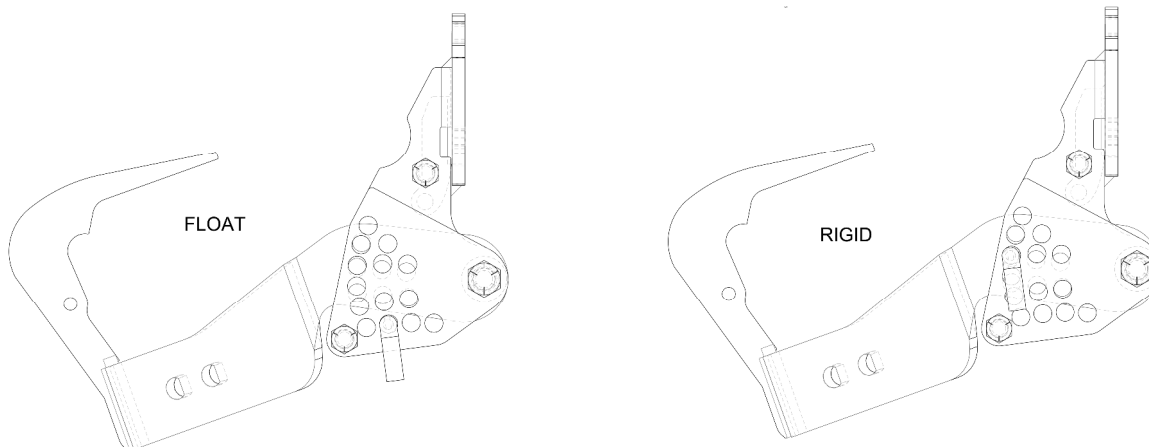
To lower the wheels, lift the combo arm and move the adjustment pin down.

Rigid Settings

Install the adjustment pin through the combo arm.

To raise wheels, lift the combo arm to the desired position and insert the pin.

To lower wheels, lower the combo arm to the desired position and insert the pin.



Residue Manger Do's and Don'ts

1. DO NOT move soil; Residue Managers are designed to move crop residue only.
2. DO NOT operate planter at slow speeds, ground speed affects how aggressive the spoke wheels are. Operate at sufficient speed (4-6 mph) to maintain good residue flow.
3. DO NOT expect 100% of crop residue to be cleared. It is not necessary and would necessitate engaging the soil. The width of the cleared path depends on ground conditions, depth setting, and ground speed.
4. DO expect to see wheels occasionally quit turning. This indicates ideal (shallow) setting which is not moving soil.
5. DO adjust toolbar frame height 20"-22" and drawbar to level correctly. This is very important to ensure planter opener will follow ground contours properly.

STOP

Read this before using the Yetter product.

IMPORTANT: failure to properly set the planter frame height and levelness can result in less than successful operation of the planter and the Yetter product and may result in damaged equipment. All operators should read and thoroughly understand the instructions given prior to using the Yetter product.

NOTE: **DO NOT** use this product if the planter is not adjusted properly!

Leveling the planter:

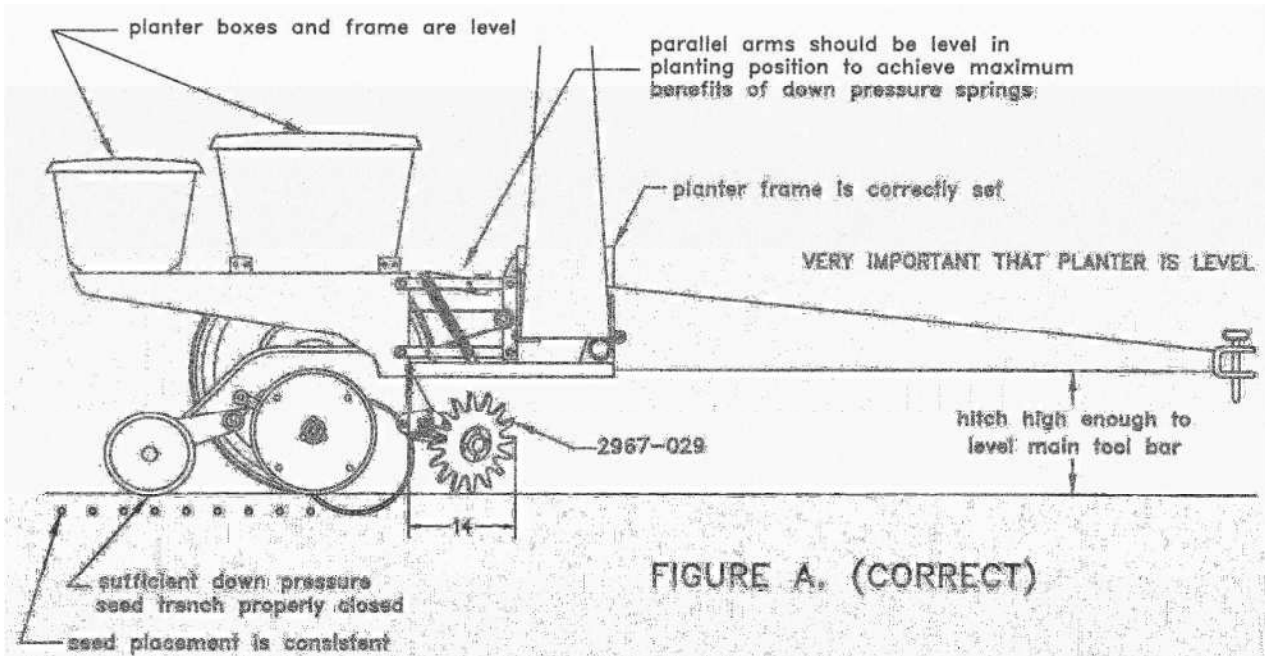
With the planter lowered to proper operating height (**Usually 20"-22"**). **Read the planter operator's manual for recommended setting.** Check to be sure the toolbar and row unit parallel arms are level fore and aft. **Re-check** when the planter is in the **field** and has been **fully loaded** with seed, fertilizer, granular chemicals, etc. Also, a field check with a bubble level on the frame should be made of the hitch height to ensure level operation front to back.

It is important for the planter to operate level laterally. Tire pressure must be maintained at pressures specified by the manufacturer.

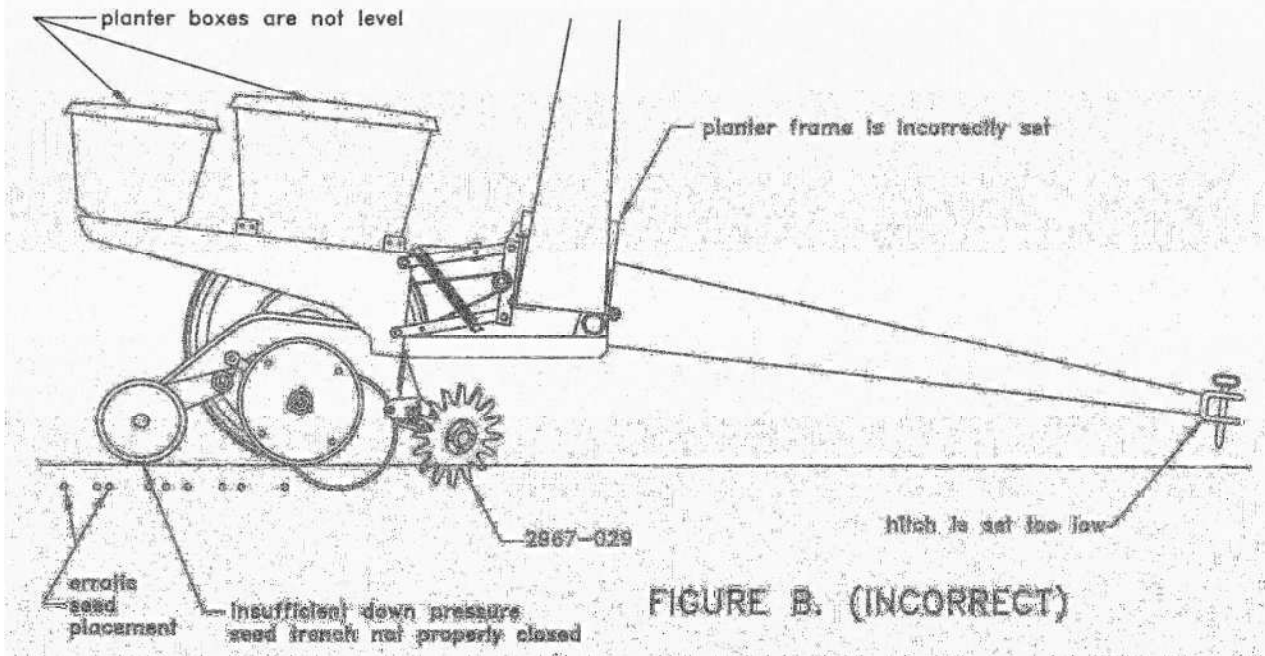
Field and actual planting conditions change and will dictate planter frame heights. You must ensure that the row unit parallel arms are approximately parallel with the ground.

IMPORTANT: For proper operation of the planter attachments and row units, it is imperative that the planter toolbars and row unit parallel arms be level side-to-side and front-to-rear. The toolbar frame should operate at a 20"-22" height from the **planting surface**. Check the manufacturer's operator's manual for instructions on how to adjust the frame height and levelness.

PLANTER ADJUSTMENT



1723-3

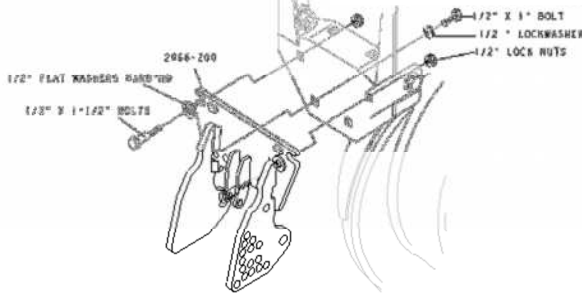


INSTALLATION INSTRUCTIONS

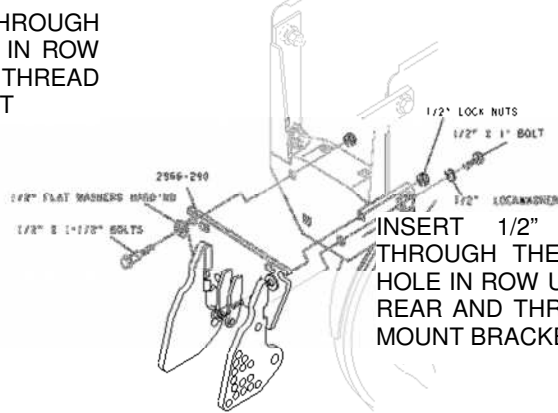
Step 1: Attach the 2966-290 mount bracket to the planter unit using (3) 1/2" bolts and lock nuts.

JD 7000, KINZE
WHITE 6000
YETTER

INSERT 1/2" X 1" BOLT THROUGH THE LOWER RIGHT HOLE IN ROW UNIT FROM REAR AND THREAD INTO THE MOUNT BRACKET

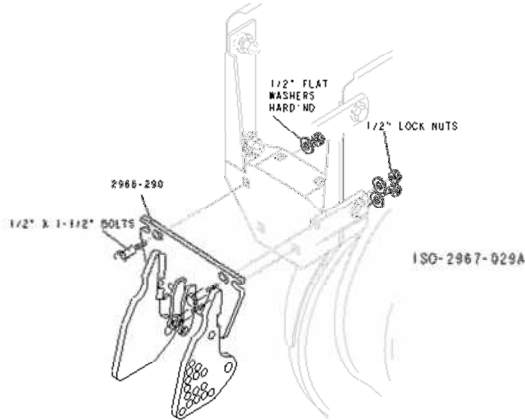


WHITE 8000

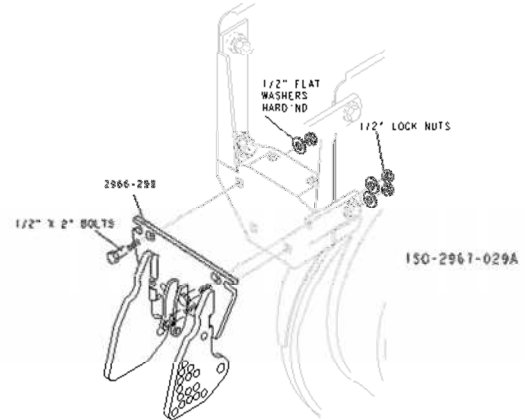


INSERT 1/2" X 1" BOLT THROUGH THE LOWER LEFT HOLE IN ROW UNIT FROM THE REAR AND THREAD INTO THE MOUNT BRACKET

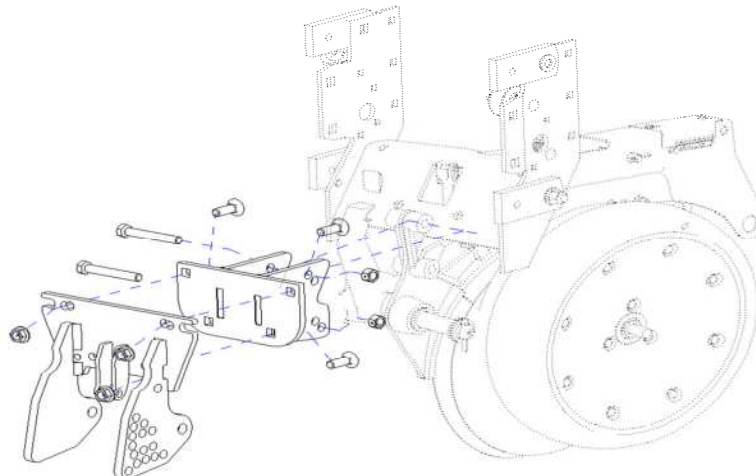
JD 1700, 7200 KINZE 4900



WHITE 9000

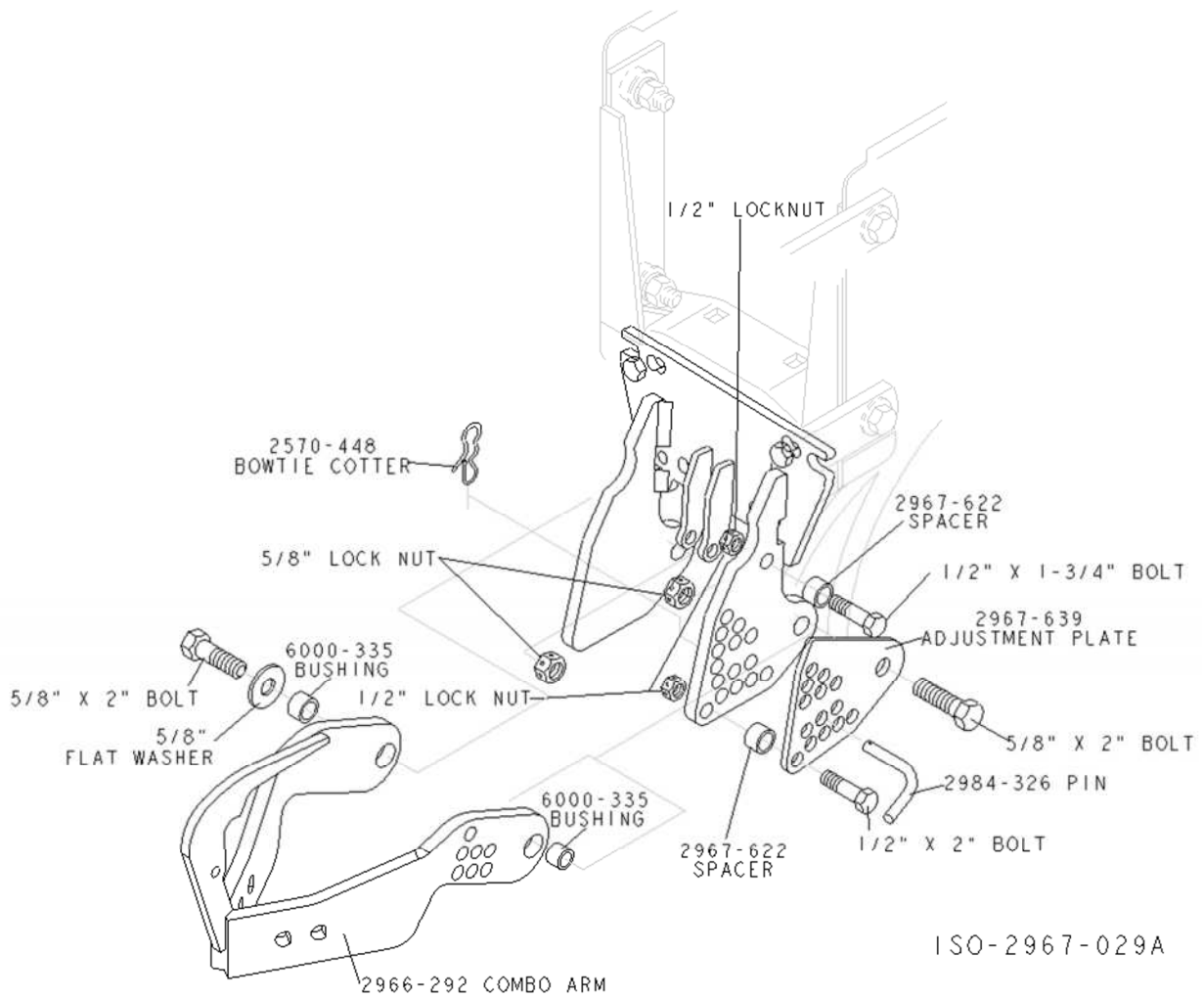


Step 1A: Attach the 2966-293 adapter to the CIH row unit using the 1/2" x 3-1/2" bolts and lock nuts. Then, install the 2966-290 mount bracket to the adapter using the 1/2" x 1-1/2" carriage bolts and flanged lock nuts.



INSTALLATION INSTRUCTIONS

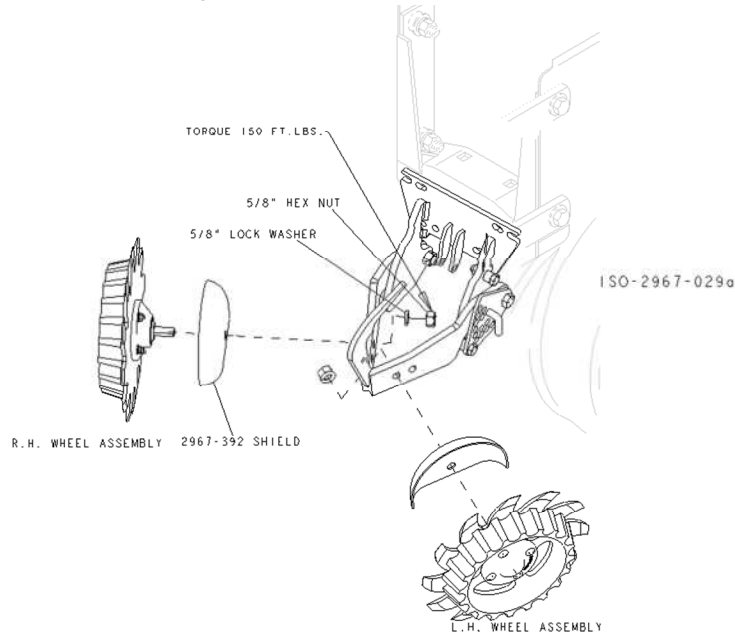
Step 2: Install the arm up-stop using the 1/2" x 1-3/4" bolt, 2967-622 spacer, and lock nut. Attach the 2966-292 arm to the mount bracket on the left using a 5/8" x 2" bolt, 6000-335 bushing, 2967-639 adjustment plate, and lock nut. Install the 1/2" x 2" bolt, 2967-622 spacer, and lock nut on the left to secure the adjustment plate. Insert the 2984-326 pin in the adjustment holts and install the 2570-448 hairpin clip.



INSTALLATION INSTRUCTIONS

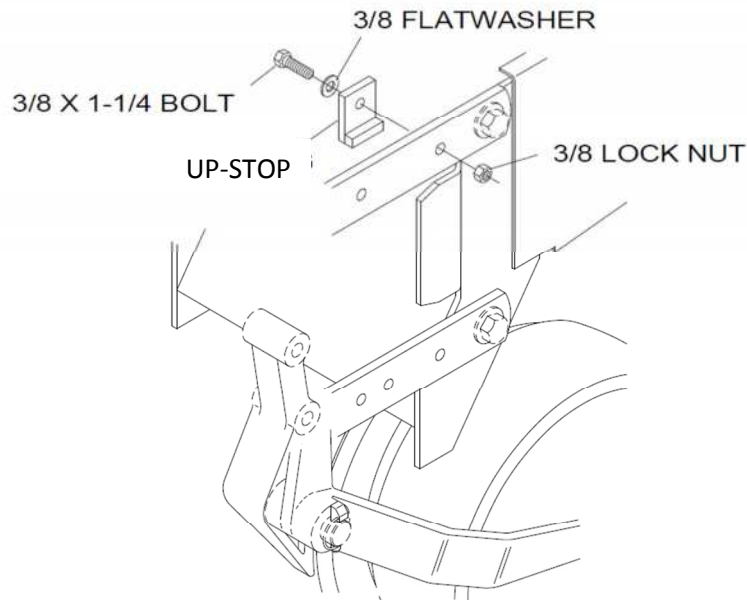
Step 3: Fill the hub and bearing assembly with general-purpose polyurea grease.

Step 4: Choose the hole in which to attach the RM wheel assemblies. Attach the RM wheel/hub assemblies to the combo arm using 5/8" lock washers and hex nuts. Adjust the bearing shield to top dead center then, rotate slightly forward. Torque to 150 ft-lbs.



Step 5: ONLY FOR 2967-097A MOUNTING ON CNH RU

Attach the up-stop to the planter row unit parallel arms using the 3/8" hardware.



1727-4A

MAINTENANCE

Regularly inspect the residue manager for loose or worn parts. Repair and replace as needed.

BEARING ASSEMBLY AND LUBRICATION

Practice Safety

Understand and practice safe service procedures before doing work. Follow ALL the operating, maintenance and safety information in the equipment operator manual. Clear the area of bystanders, especially small children, when performing any maintenance or adjustments. Keep work area clean and dry. Use adequate lighting for the job. Use only tools, jacks and hoists of sufficient capacity for the job.

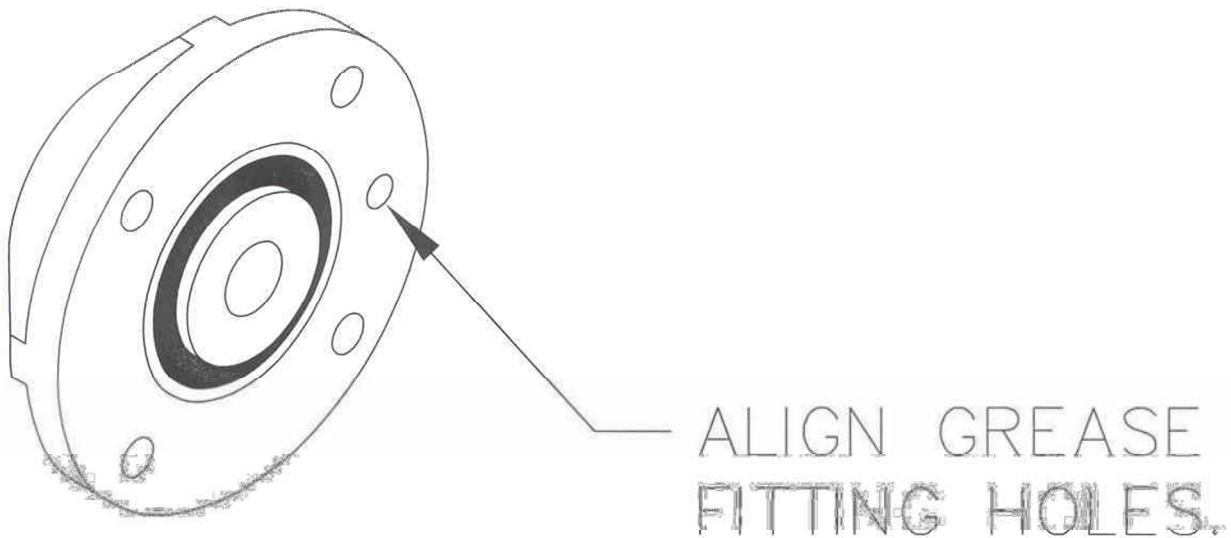
Never lubricate, service, or adjust machine while it is moving. Keep hands, feet, and clothing from power-driven moving and rotating parts. Disengage all power and operate controls to relieve pressure. Lower equipment to the ground and stop the engine.

Remove the key. Wait for all moving parts to stop before servicing, adjusting, repairing or unplugging.

Securely support any machine elements with blocks or safety stands that must be raised for service work.

Keep all parts in good condition and properly installed. Fix damaged equipment immediately. Replace worn or broken parts. Remove any buildup of grease, oil, or debris.

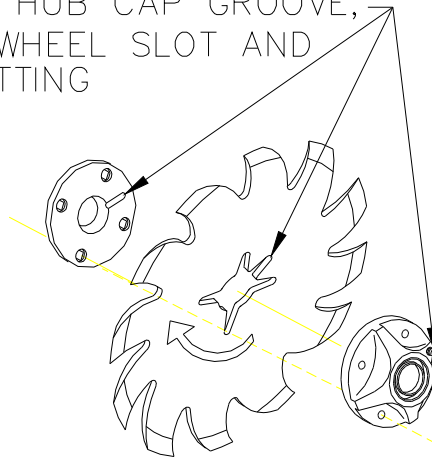
Make sure all guards are in place and properly secured when maintenance work is completed.



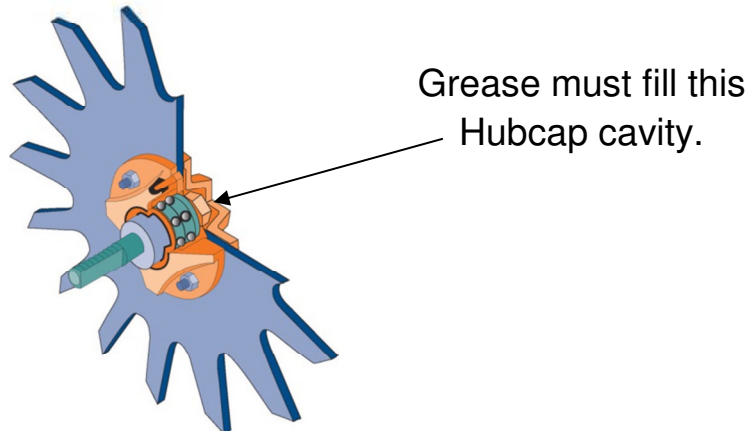
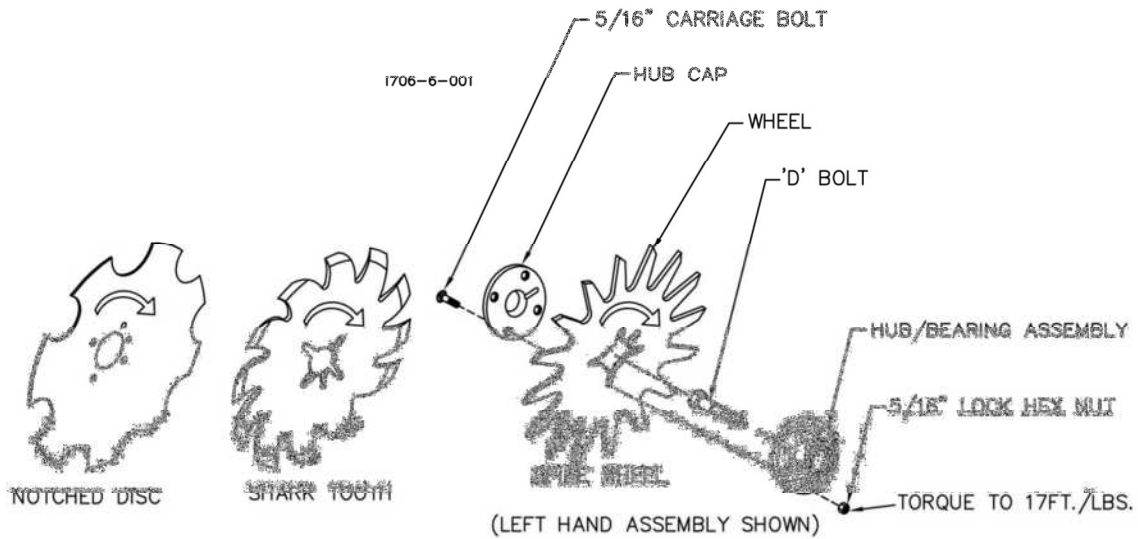
I190-1

MAINTENANCE


ALIGN THE HUB CAP GROOVE,
WITH THE WHEEL SLOT AND
GREASE FITTING




NOTE: Be certain to align the grease fitting with the slot in the wheel and hubcap so grease can flow freely.



MAINTENANCE

 **CAUTION:** To help prevent serious injury or death to you or other caused by unexpected movement, service machine on a level surface. Lower machine to ground or sufficiently lock or block raised machine before servicing. If machine is connected to a tractor, engage parking brake, place transmission in PARK, shut off engine, and remove the key. If machine is detached from a tractor, block wheel and use shop stands to prevent movement.

 **CAUTION:** Do not clean, lubricate, or adjust a machine while in motion.

Use grease based on NLGI consistency number and the expected air temperature range during the service interval.

Use a **multi-purpose polyurea, water resistant, moderate speed, and NLGI grade #2** grease.

Other greases may be used if they meet the **NLGI Performance Classification: GC-LB**

Important: Some types of grease thickener are not compatible with others. Consult your grease supplier before mixing different types of grease.

Conditions in certain geographical areas may require special lubricants and lubrication practices which do not appear in the operator's manual. If there are any questions, consult Yetter Manufacturing Co. to obtain the latest information and recommendation.

Part #	Description	Ounces of Grease
2967-404	13" Taper Tooth RM Wheel	1.12 Oz
2967-602	13" SharkTooth RM Wheel	1.12 Oz
2967-186	Floater Wheel Kit w/ RM Wheel	2.08 Oz
6200-350 6200-351	Bevel RM Wheel w/ Floater Wheel Kit	2.40 Oz

Storing Lubricants

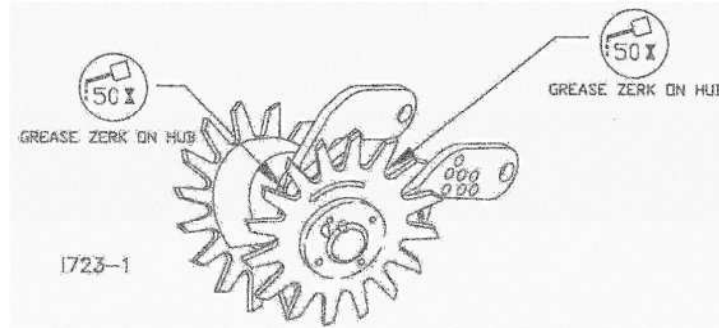
Your machine can operate at peak efficiency only if clean lubricants are used. Use clean containers to handle all lubricants. Store them in an area protected from dust, moisture, and other contaminants.

MAINTENANCE



Lubricate with grease at hourly interval indicated on symbol.

Lubrication Intervals



Important: The recommended service intervals are based on normal operating conditions; severe or unusual conditions may require more frequent lubrication.

Perform each lubrication and service procedure at the beginning and end of each season.

Clean grease fittings before using grease gun to avoid injecting dirt and grit into the bearing. Replace and lost or broken fittings immediately. If a fitting fails to take grease, remove and clean thoroughly. Replace if necessary.

Also check for failure of adjoining parts.

Bearing Replacement Installation

1. When assembling the spoke wheels, bearing assembly and hubcap, be sure to align the grease transfer hole in the spoke wheel with the groove in the hubcap and hole in the hub to allow grease passage.
2. Assemble the wheels, hubs, and caps.
3. Grease the wheel/hub/bearing assembly.

MAINTENANCE

Storing the Equipment

Store the machine in an area away from human activity.

Store the machine in a RAISED position.

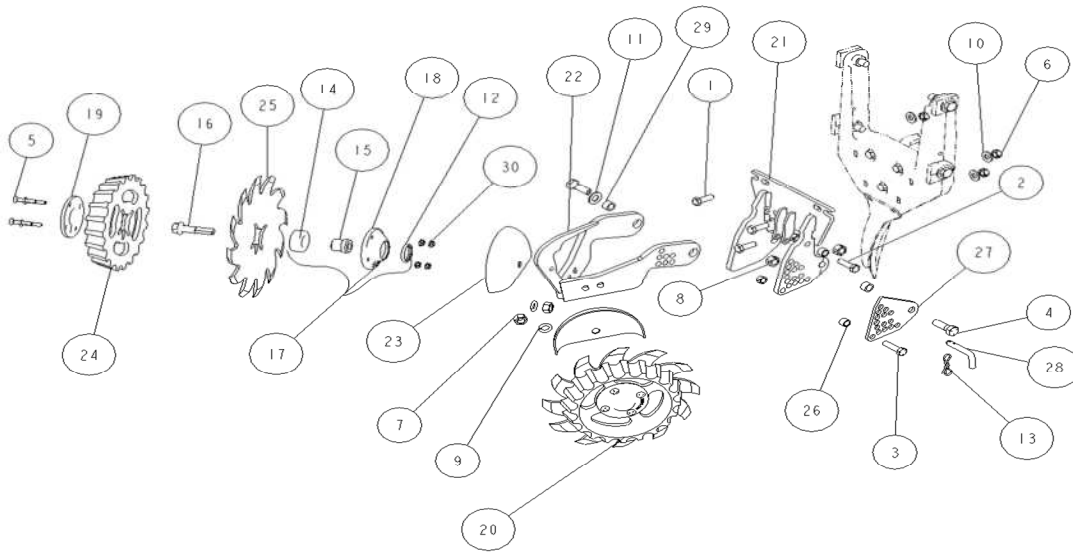
Install service locks on all wheel cylinders.

At the end of the season, the machine should be thoroughly inspected and prepared for storage. Repair or replace any worn or damaged components to prevent down time at the start of the next season. Store the machine under cover with all parts in operating condition.

- Clean machine thoroughly to remove all dirt, debris, and crop residue which would hold moisture and cause rusting.
- Inspect machine for worn or broken parts. See your Yetter Farm Equipment dealer during the off-season so that parts or service can be acquired when the machine is not needed in the field.
- Lubricate all bearings as outlined in the lubrication section.
- Paint all parts which are chipped or worn.
- Store machine in a clean, dry place that is out of the sun.
- If the machine cannot be stored inside, cover with a waterproof tarpaulin and tie securely in place.
- Do not allow children to play on or around the machine.

PART IDENTIFICATION

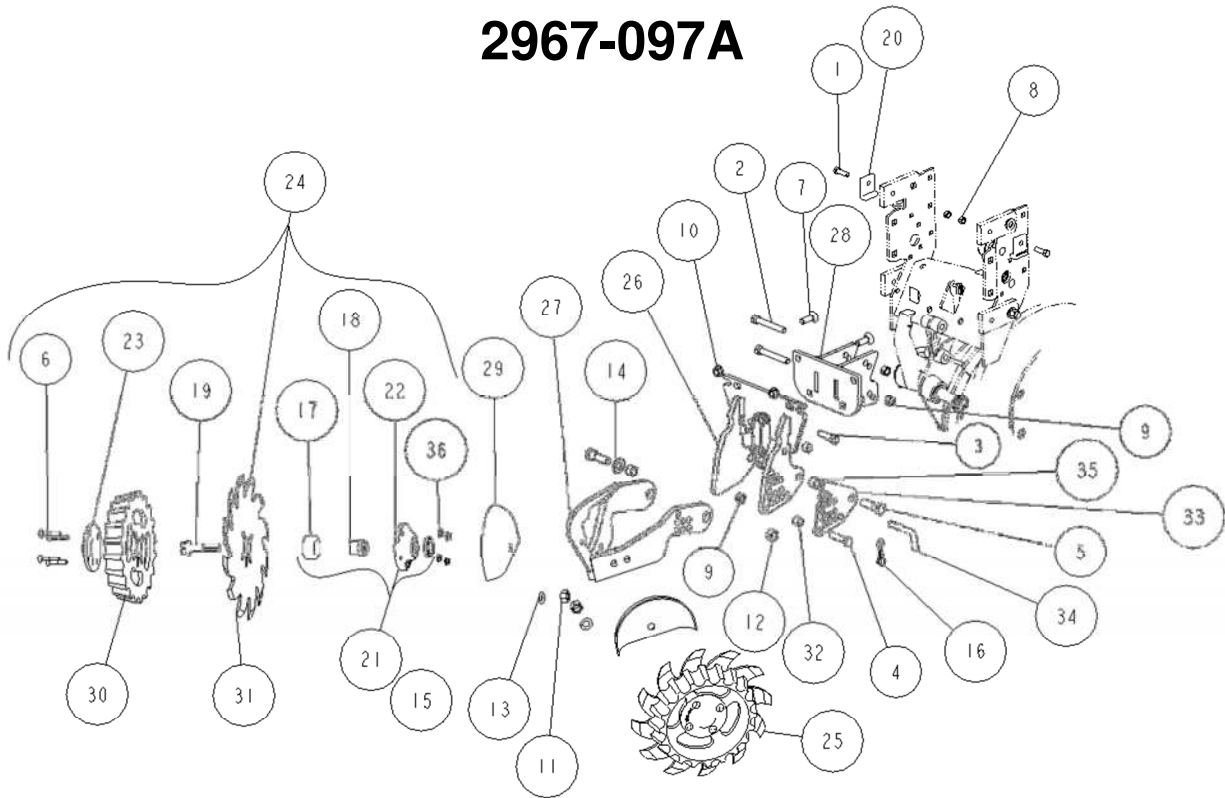
2967-029A



ITEM	PART #	DESCRIPTION	QTY
1	2502-294	1/2 -13 X 1-1/2 HHCS GRADE 5	3
	2502-351	1/2 -13 X 2 HHCS GRADE 5 (WHITE 9000)	3
2	2502-317	1/2 -13 X 1-3/4 HHCS GRADE 5	1
3	2502-351	1/2 -13 X 2 HHCS GRADE 5	1
4	2502-391	5/8 -11 X 2 HHCS GRADE 5	2
5	2505-209	5/16 -18 X 1-3/4 CARRIAGE BOLT GRADE 5 (FLOATER)	8
	2505-207	5/16 -18 X 1-1/4 CARRIAGE BOLT GRADE 5 (SHARK)	8
	2505-208	5/16 -18 X 1-1/2 CARRIAGE BOLT GRADE 5 (BEVELED)	8
6	2520-357	1/2 -13 LOCK HEX NUT	5
7	2520-452	5/8 -11 HEX NUT	2
8	2520-459	5/8 -11 LOCK HEX NUT	2
9	2525-451	5/8 LOCK WASHER	2
10	2526-355	1/2 FLAT WASHER HARDENED	3
11	2526-453	5/8 SAE FLAT WASHER	1
12	2550-069	SEAL	2
13	2570-448	HAIRPIN COTTER	1
14	2570-594	BEARING	2
15	2570-715	INSERT	2
16	2570-740	D-BOLT 5/8 -11 X 2.812 GRADE 8	2
17	2965-128	HUB AND BEARING ASSEMBLY	2
18	2965-351	HUB	2
19	2965-352	CAP	2
20	2966-141-ST-FW	SHARK WHEEL ASSEMBLY LH FLOATER (SHOWN)	1
	2966-140-ST-FW	SHARK WHEEL ASSEMBLY RH FLOATER	1
21	2966-290	MOUNT BRACKET	1
22	2966-292	ARM WIDE	1
23	2967-392	SHIELD	2
24	2967-555	FLOATER WHEEL (OPTION)	2
25	2967-602	13" SHARK WHEEL (SHOWN)	2
	2967-404	13" TAPER TOOTH (OPTION)	2
	6200-350	13" BEVELED WHEEL LH (OPTION)	1
	6200-351	13" BEVELED WHEEL RH (OPTION)	1
26	2967-622	9/16" SPACER	2
27	2967-639	ADJUSTMENT PLATE	1
28	2984-326	PIN	1
29	6000-335	9/16" BUSHING	2
30	2520-206	5/16 -18 SERRATED FLANGE HEX NUT	8

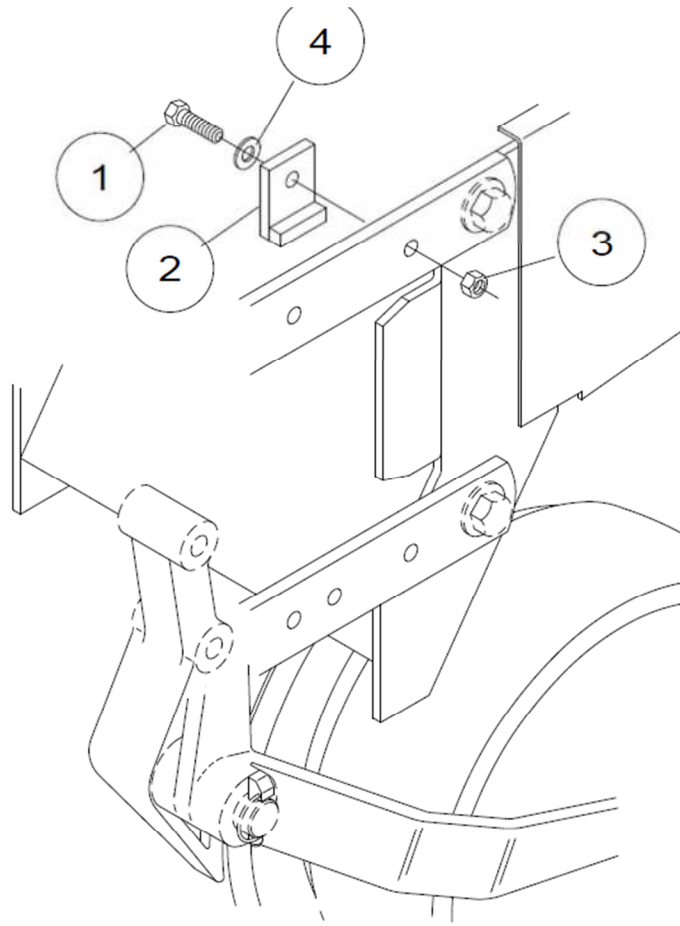
PART IDENTIFICATION

2967-097A



ITEM	PART #	DESCRIPTION	QTY	ITEM	PART #	DESCRIPTION	QTY
1	2502-244	3/8 -16 X 1-1/4 HHCS GRADE 5	2	20	2960-223	UP-STOP	2
2	2502-316	1/2 -13 X 3-1/2 HHCS GRADE 5	2	21	2965-128	BEARING HUB ASSEMBLY	2
3	2502-317	1/2 -13 X 1-3/4 HHCS GRADE 5	1	22	2965-351	HUB	2
4	2502-351	1/2 -13 X 2 HHCS GRADE 5	1	23	2965-352	CAP	2
5	2502-391	5/8 -11 X 2 HHCS GRADE 5	2	24	2966-140-ST-FW	SHARK WHEEL ASSEMBLY RH	1
6	2505-209	5/16-18 X 1-3/4 CARRIAGE BOLT GRADE5(FLOATER)	8	25	2966-141-ST-FW	SHARK WHEEL ASSEMBLY LH	1
	2505-207	5/16-18 X 1-1/4 CARRIAGE BOLT GRADE 5(SHARK)	8	26	2966-290	MOUNT BRACKET	1
	2505-208	5/16-18 X 1-1/2 CARRIAGE BOLT GRADE5(BEVEL)	8	27	2966-292	ARM	1
7	2505-339	1/2 -13 X 1-1/2 CARRIAGE BOLT GRADE 5	3	28	2966-293	ADAPTER CIH	1
8	2520-255	3/8 -16 LOCK HEX NUT	2	29	2967-392	SHIELD	2
9	2520-357	1/2 -13 LOCK HEX NUT	4	30	2967-555	FLOATER WHEEL (OPTION)	2
10	2520-361	1/2 -13 FLANGE HEX NUT	3	31	2967-602	13" SHARK WHEEL (SHOWN)	2
11	2520-452	5/8 -11 HEX NUT	2		2967-404	13" TAPER TOOTH (OPTION)	2
12	2520-459	5/8 -11 LOCK HEX NUT	2		6200-350	13" BEVELED WHEEL LH (OPTION)	2
13	2525-451	5/8 LOCK WASHER	2		6200-351	13" BEVELED WHEEL RH (OPTION)	2
14	2526-453	5/8 SAE FLAT WASHER	1	32	2967-622	9/16" SPACER	2
15	2550-069	SEAL	2	33	2967-639	ADJUSTMENT PLATE	1
16	2570-448	HAIR PIN COTTER	1	34	2987-326	PIN	1
17	2570-594	BEARING	2	35	6000-335	9/16" BUSHING	2
18	2570-715	INSERT	2	36	2520-206	5/16-18 SERRATED FLANGE HEX NUT	8
19	2570-740	D-BOLT FLANGED 5/8 -11 X 2.812 GRADE 8	2				

PART IDENTIFICATION UP-STOP



ITEM	PART #	DESCRIPTION	QTY
1	2502-244	3/8-16 x 1-1/4 HHCS GR 5	2
2	2960-223	UP-STOP	2
3	2520-255	3/8-16 HEX LOCK NUT	2
4	2526-253	3/8 SAE FLATWASHER	2



A Tradition of Solutions since 1930

Yetter Farm Equipment Co

PO BOX 358 109 S. McDonough

Colchester, IL 62326-0358

Phone: 309-776-4111

Toll Free: 800-447-5777

Email: info@yetterco.com

For updated models and manuals visit the Yetter website

www.yetterco.com

© Yetter Farm Equipment Co. All Rights Reserved

2565-696_Rev_I – 01/2018